

RFID systems for the HF frequency range

Transponders (ISO mode)

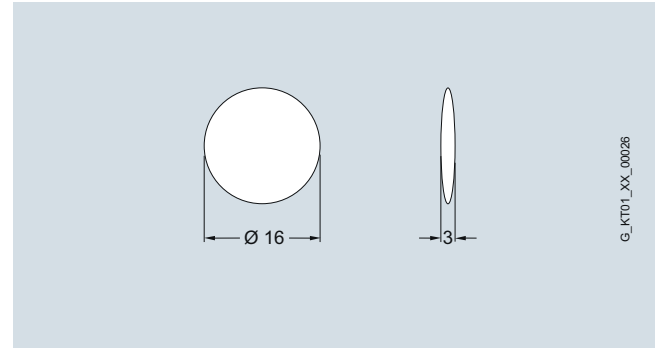
MDS D160

Selection and ordering data

	Order No.
Transponder MDS D160 112 bytes EEPROM Ordering quantity 100 units or a multiple thereof.	6GT2600-0AB10
Accessories	
Spacer for MDS D160 For MDS D160, necessary for mounting onto metal surfaces. Diameter = 20 mm, height = 15 mm. Ordering quantity 50 units or a multiple thereof.	6GT2690-0AG00



Dimensional drawings



MDS D160 transponder

2

RFID systems for the HF frequency range

Transponders (ISO mode)

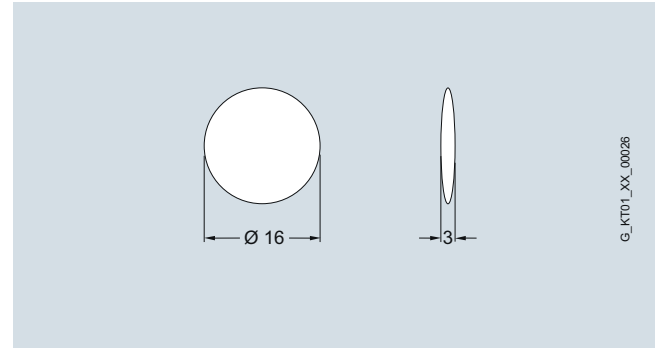
MDS D460

Selection and ordering data

	Order No.
Transponder MDS D460 2000 bytes FRAM Ordering quantity 50 units or a multiple thereof.	6GT2600-4AB00
Accessories	
Spacer For MDS D460, necessary for mounting onto metal surfaces. Diameter = 20 mm, height = 15 mm Ordering quantity 50 units or a multiple thereof.	6GT2690-0AG00



Dimensional drawings



Mobile data storage unit MDS D460

2