

Performance — Electrical

Dielectric Voltage Withstand	3000 volts
Max. Working Voltage	600 volts RMS (minimum creepage distance and minimum clearance per UL 840)
Circuit Interrupting/ Load Breaking	UL Listed and CSA Certified for circuit interrupting at full rated current
Temperature Rise	Max. 30° C/86° F temperature rise at full rated current after 50 cycles of overload at 150% rated current at .75-pf
Shrouded Contacts	Complies with California Code Title 8, Art. 51, S2510.7(b) for devices exceeding 300VAC
Horsepower	Per NEC® 430-151 ratings (non-interrupting)

Performance — Mechanical

Impact Resistance	Per UL 1682 Paragraph 34
Cord Accommodation	Round portable service cords per UL standard 62 and CSA C22.2 No. 49.1
Terminal Identification	In accordance with UL 1682
Cable Pull Out Force	In accordance with UL 1682
Product Identification	Identification label and name per UL 1686



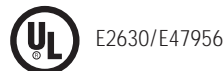
Performance — Environmental

Moisture Resistance	Per UL 1682 Paragraph 49 Watertight/flap screw cover on receptacle
Flammability	V0/5VA per UL 94
Operating Temperatures	Maximum Continuous: 95° C/203° F Minimum: -40° C/-40° F without impact
Chemicals	Resists standard industrial hydrocarbons, acids, bases and solvents

Material

Contact Carrier Interior	Thermoset
Housing, Gland Nuts Screw Collar Rings	Cast Aluminum or Brass
Contacts: Pins and Sleeves	Brass
Hinge Pins (Receptacle)	Stainless Steel
Terminals	Brass
Terminal Screws, Flap Springs, Assembly Screws, Nuts, Hardware	Stainless Steel
Gland Friction Washer	Brass or Aluminum
Cable Clamp Bushing	Neoprene

Approvals



Type FS (Shallow) and Type FD (Deep)

Aluminum boxes have 6-32 cover mounting holes tapped to accommodate all FS and FD cover assemblies.

Brass boxes have 10-24 cover mounting holes tapped to accommodate all FS and FD cover assemblies.



Single-Gang



Two-Gang



DSFD

GANGS	TYPE	CAST ALUMINUM	CAST BRASS	OVERALL DIMENSIONS*	FOR USE WITH
SINGLE	FS	3701A	3721	4.12" x 2.62" x 2.31"	15-20A
	FD	3711A	3731	4.12" x 2.62" x 2.94"	30A
	DSFD	3781A	3782	4.12" x 3.62" x 4.12"	30A
TWO	FS	3702A	3722	4.12" x 5.5" x 2.25"	15-20A
	FD	3712A	3732	4.12" x 5.62" x 2.87"	30A

* Dimensions are overall exclusive of conduit pads and mounting lugs

NOTE:

When Type FD devices (20A) are to be mounted in boxes, Type FD boxes should be used. FS boxes will not accommodate FD devices (30A or 3P4W).

Mounting — All the above boxes are for surface mounting. For flush mounting, see **page 94**.

Boxes — Cast brass, natural finish; cast aluminum, corrosion-resistant copper-free alloy, epoxy powder coat finish.

* Dimensions are overall exclusive of conduit pads and mounting lugs

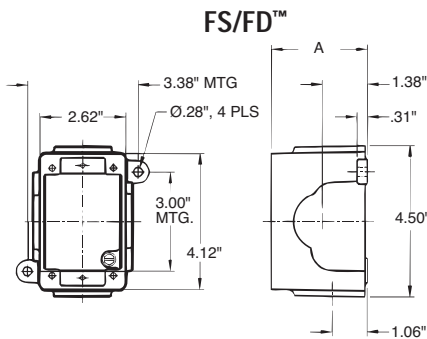
Outlets — Unless otherwise specified, furnished with one .75" outlet per gang, top or bottom. Additional outlets charged extra — see price list. Specify size and location.

Maximum Conduit — FS and FD: 1", one per gang top and bottom and one each side.

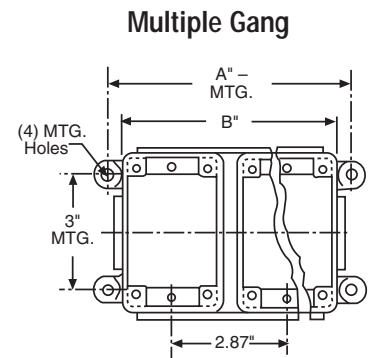
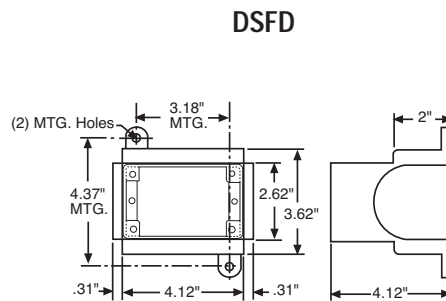
DSFD — One 1.5" or two .5" top and bottom.

Cast iron available on special order — consult your Thomas & Betts representative.

Dimensions



TYPE	A
FS	2.31
FD	2.94



A		B	
FS	FD	FS	FD
6.50"	6.50"	5.50"	5.62"