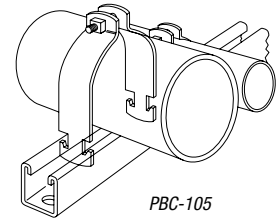


Channels, Nuts and Fittings

PVC-Coated Steel Conduit Straps

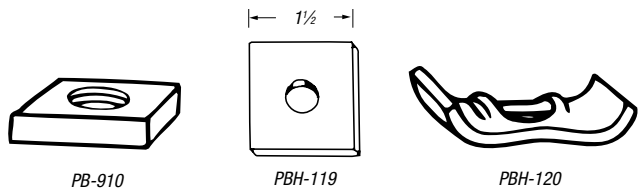
CAT. NO. & SIZE	DESCRIPTION (IN.)	WT. LBS./C
PBC-105-3/4	¾	16
PBC-105-1	1	18
PBC-105-1-1/4	1¼	20
PBC-105-1-1/2	1½	29
PBC-105-2	2	33

CAT. NO. & SIZE	DESCRIPTION (IN.)	WT. LBS./C
PBC-105-2-1/2	2½	38
PBC-105-3	3	45
PBC-105-3-1/2	3½	58
PBC-105-4	4	64



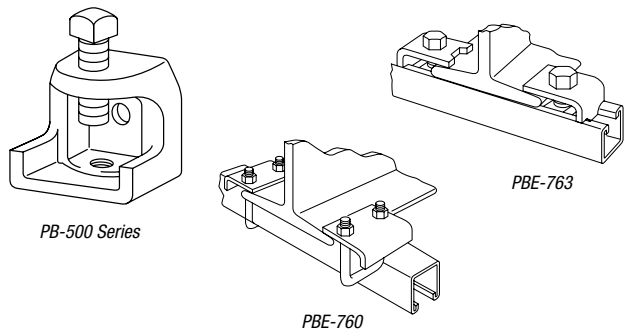
PVC-Coated Hardware

CAT. NO. & SIZE	DESCRIPTION	WT. LBS./C
PB-910-3/8	¾-16 Steel Nut	9
PB-910-1/2	½-13 Steel Nut	10
PBH-119C-3/8	1½" Square Washer with 7/16" Hole	12
PBH-119D-1/2	1½" Square Washer with 7/32" Hole	14
PBH-120	Saddle Washer for ¾" or ½" Rod	7

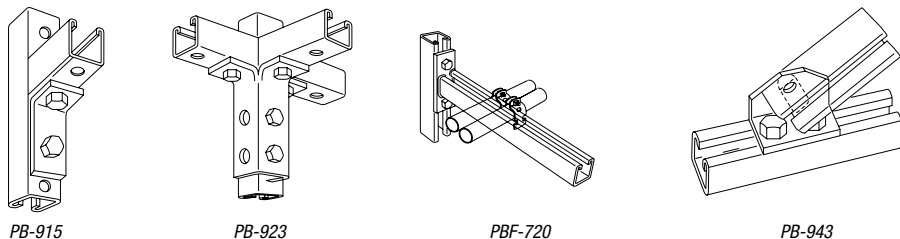


PVC-Coated Beam Clamps

CAT. NO. & SIZE	DESCRIPTION	WT. LBS./C
PB-502	2"-7/8" Jaw Tapped ¾-16	95
PB-508	2½"-2" Jaw Tapped ½-13	182
PBE-760-2	For Use with PB-900, PB-905, PB-906 or PB-907	80
PBE-763	For Use with All Channels	25



PVC-Coated Framing Fittings



CAT. NO. & SIZE	DESCRIPTION	WT. LBS./C
PB-915	2-Hole Angle Connector	40
PB-923	3-Side Angle Connector	137
PB-927	U Support	53
PB-943	Double-Brace Connector	66
PBF-720-18	Single-Channel Wall Bracket — 18"	275
PBF-721-18	Double-Channel Wall Bracket — 18"	568

