



Connectors for Aluminum/Copper Code Conductors

Two-Hole Lugs



Designed and approved for use with both aluminum and copper conductors

- For 90°C certified to 600 V and recommended up to 35 kV[‡] applications
- For aluminum and copper concentric conductors and compact code aluminum strandings
- Filled with oxide-inhibitor compound

Material: High-Conductivity Wrought Aluminum

Finish: Electro-Tin Plated

Cat. No.	Cable Size	Bolt Size (in.)	Dimensions in. (mm)							Die Code	Colour Code
			A	B	C	D	E	F	G		
60230	1/0 AWG	3/8	3.50 (88.9)	1.90 (48.3)	0.88 (22.4)	0.19 (4.8)	0.62 (15.7)	0.38 (9.7)	1.00 (25.4)	50	Tan
60236	2/0 AWG	3/8	3.50 (88.9)	1.90 (48.3)	0.97 (24.6)	0.22 (5.6)	0.70 (17.8)	0.38 (9.7)	1.00 (25.4)	54	Olive
60238		1/2	5.03 (127.8)	3.41 (86.6)	0.97 (24.6)	0.22 (5.6)	0.70 (17.8)	0.75 (19.1)	1.75 (44.5)		
60242	3/0 AWG	3/8	3.66 (93.0)	1.18 (30.0)	1.06 (27.0)	0.22 (5.6)	0.77 (19.6)	0.38 (9.7)	1.00 (25.4)	60	Ruby
60244		1/2	5.16 (131.1)	3.41 (86.6)	0.06 (1.5)	0.22 (5.6)	0.77 (19.6)	0.75 (19.1)	1.75 (44.5)		
60248	4/0 AWG	3/8	4.58 (116.3)	1.18 (30.0)	1.21 (30.7)	0.25 (6.4)	0.86 (21.8)	0.38 (9.7)	1.00 (25.4)	66	White
60250		1/2	5.65 (143.5)	3.41 (86.6)	1.21 (30.7)	0.25 (6.4)	0.86 (21.8)	0.50 (12.7)	1.75 (44.5)		
60254	250 kcmil	3/8	4.73 (120.1)	1.93 (49.0)	1.29 (32.8)	0.27 (6.9)	0.92 (23.4)	0.38 (9.7)	1.00 (25.4)	71	Red
60256		1/2	5.80 (147.3)	3.00 (76.2)	1.29 (32.8)	0.27 (6.9)	0.92 (23.4)	0.50 (12.7)	1.75 (44.5)		
60260	300 kcmil	3/8	4.80 (121.9)	1.93 (49.0)	1.39 (35.3)	0.28 (7.1)	0.99 (25.1)	0.38 (9.7)	1.00 (25.4)	76	Blue
60262		1/2	5.88 (149.4)	3.00 (76.2)	1.39 (35.3)	0.28 (7.1)	0.99 (25.1)	0.50 (12.7)	1.75 (44.5)		
60265	350 kcmil	3/8	5.50 (139.7)	1.93 (49.0)	1.53 (38.9)	0.33 (8.4)	1.09 (27.7)	0.38 (9.7)	1.00 (25.4)	87	Brown
60267		1/2	6.58 (167.1)	3.00 (76.2)	1.53 (38.9)	0.33 (8.4)	1.09 (27.7)	0.50 (12.7)	1.75 (44.5)		
60268	400 kcmil	3/8	5.63 (143.0)	1.93 (49.0)	1.65 (41.9)	0.38 (9.7)	1.18 (30.0)	0.38 (9.7)	1.00 (25.4)	94	Green
60269		1/2	6.70 (170.2)	3.00 (76.2)	1.65 (41.9)	0.38 (9.7)	1.18 (30.0)	0.50 (12.7)	1.75 (44.5)		
60271	500 kcmil	3/8	5.63 (143.0)	1.93 (49.0)	1.79 (45.5)	0.38 (9.7)	1.28 (32.5)	0.38 (9.7)	1.00 (25.4)	99	Pink
60273		1/2	6.70 (170.2)	3.00 (76.2)	1.79 (45.5)	0.38 (9.7)	1.28 (32.5)	0.50 (12.7)	1.75 (44.5)		
60274	600 kcmil	3/8	5.75 (143.1)	1.93 (49.0)	1.92 (48.8)	0.37 (9.4)	1.36 (34.5)	0.38 (9.7)	1.00 (25.4)	106	Black
60275		1/2	6.83 (173.5)	3.00 (76.2)	1.92 (48.8)	0.37 (9.4)	1.36 (34.5)	0.50 (12.7)	1.75 (44.5)		
60276	700 kcmil	3/8	5.88 (149.4)	1.93 (49.0)	2.04 (51.8)	0.38 (9.7)	1.44 (36.6)	0.38 (9.7)	1.00 (25.4)	112	Purple
60277		1/2	6.95 (176.5)	3.00 (76.2)	2.04 (51.8)	0.38 (9.7)	1.44 (36.6)	0.50 (12.7)	1.75 (44.5)		
60278	750 kcmil	1/2	7.15 (181.6)	3.00 (76.2)	2.13 (54.1)	0.40 (10.2)	1.50 (38.1)	0.50 (12.7)	1.00 (25.4)	115	Yellow
60284	1000 kcmil	1/2	7.78 (197.6)	3.00 (76.2)	2.50 (63.5)	0.50 (12.7)	1.77 (45.0)	0.50 (12.7)	1.75 (44.5)	140	-

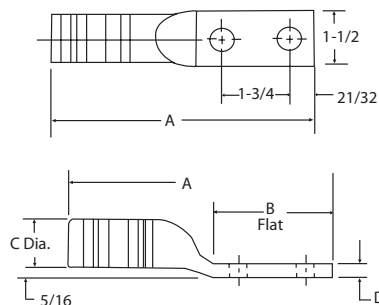
Bolt holes 3/8 in. on 1 in. centers, 1/2 in. on 1-3/4 in. centers.
[‡] For installations from 16 kV up to 35 kV, consult shielded cable manufacturers for stress relief and insulation requirements.
 Tooling: pp. E4–E62
 Die Selector Chart: pp. E35–E50

Range-Taking Narrow-Tongue Single-Barrel Lugs

- For 90°C certified to 600 V and recommended up to 35 kV[‡] applications
- 1-1/2 in. wide tongues
- Bolt holes on 1-3/4 in. centers
- Wire barrel factory-filled with oxide-inhibitor compound

Material: Aluminum

Finish: Tin-Plated



Cat. No.	Al-Cu Cable Size	Bolt Size (in.)	No. of compression		Dimensions in. (mm)				Hex Die No.	Colour Code
			TBM12M	13642, TBM15	A	B	C	D		
60273N	350–500 kcmil	1/2	4	4	6.88 (174.8)	3.13 (79.5)	1.28 (32.5)	0.41 (10.4)	99H	Pink
60278N	500–750 kcmil		–	4	7.13 (181.1)	3.69 (93.7)	1.50 (38.1)	0.50 (12.7)	115H	Yellow

[‡] For installations from 16 kV up to 35 kV, consult shielded cable manufacturers for stress relief and insulation requirements.
 Tooling: pp. E4–E62
 Die Selector Chart: pp. E35–E50