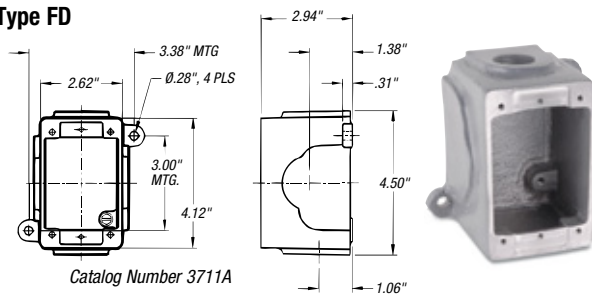


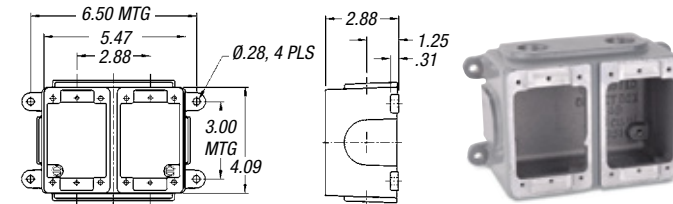
DuraGard® Waterproof Connections

Conduit Boxes (For Surface Mounting)

Type FD



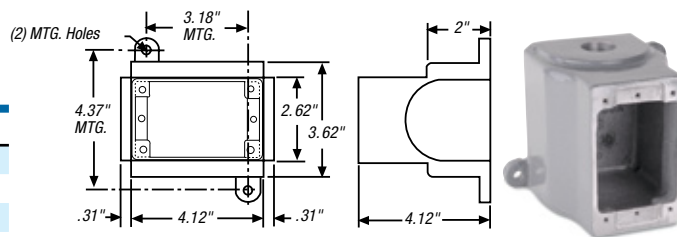
Catalog Number 3711A



Catalog Number 3712A

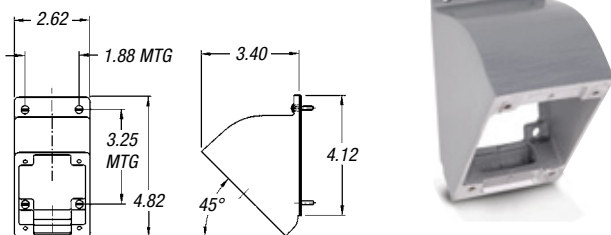
	CAST ALUMINUM	CAST BRASS	USE WITH
Single	3711A	3731-RS	20A
Double	3712A	3732-RS	30A
DSFD	3781A	—	50A

Note: 3/4" NPT Hole Std. Additional accessories are available. Please consult your Thomas & Betts representative.



Catalog Number 3781A

45° Angle Adapter



Catalog Number 3678A

	CAST ALUMINUM	CAST BRASS
	3678A	3678B

Conduit Adapter Kits (Plugs or Connectors)



SIZE	20 AMP	30 AMP	50 AMP	60 AMP
1/2"	9X2C50	9X3C50	—	—
3/4"	9X2C75	9X3C75	9X5C75	9X6C75
1"	—	9X3C10	9X5C10	9X6C10

Cable Bushings

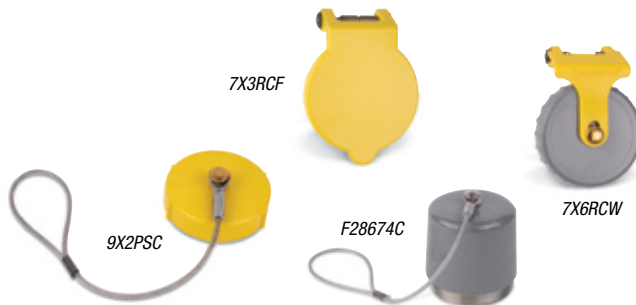


20-Amp Cable Bushing

MAX. CABLE O.D. (INCHES)	20 AMP	30 AND 50 AMP
.375	C16984A	—
.437	C16984B	—
.500	C16984C	—
.545	—	2000-11
.562	C16984D	—
.606	B16506	—
.620	—	2000-03
.625	B16524	—
.700	—	2000-04
.750	—	2000-01
.800	—	2000-06
.870	—	2000-02
.925	—	2000-12
1.000	—	2000-05

(Minimum limit 85% of O.D. size for sealing.)
Material — Oil-resistant Neoprene.
State catalog number followed by slash (/) and bushing code; example: 9P33U1/1000.

Replacement Caps



	20 AMP	30 AMP	50 AMP	60 AMP
Screw Cap (Connector)	9X2PSC	9X3PSC	9X5PSC	9X6PSC
Cup Cap (Plug)	—	F26874C	F26874C	F26874C
Screw Cap (Receptacle)	—	7X3RCW	7X5RCW	7X6RCW
Flap Cap (Receptacle)	—	7X3RCF	7X5RCF	7X6RCF

FS/FD™ Metallic Connections

Type FS (Shallow) and Type FD (Deep)

Aluminum boxes have 6-32 cover mounting holes tapped to accommodate all FS and FD cover assemblies.

Brass boxes have 10-24 cover mounting holes tapped to accommodate all FS and FD cover assemblies.



Single-Gang



Two-Gang



DSFD

GANGS	TYPE	CAST ALUMINUM	CAST BRASS	OVERALL DIMENSIONS*	FOR USE WITH
Single	FS	3701A	3721	4.12" x 2.62" x 2.31"	15–20A
	FD	3711A	3731	4.12" x 2.62" x 2.94"	30A
	DSFD	3781A	—	4.12" x 3.62" x 4.12"	30A
Two	FS	3702A	3722	4.12" x 5.5" x 2.25"	15–20A
	FD	3712A	3732	4.12" x 5.62" x 2.87"	30A

* Dimensions are overall exclusive of conduit pads and mounting lugs

Note:

When Type FD devices (20A) are to be mounted in boxes, Type FD boxes should be used. FS boxes will not accommodate FD devices (30A or 3P4W).

Mounting — All the above boxes are for surface mounting. For flush mounting, see **page H-384**.

Boxes — Cast brass, natural finish; cast aluminum, corrosion-resistant copper-free alloy, epoxy powder-coat finish.

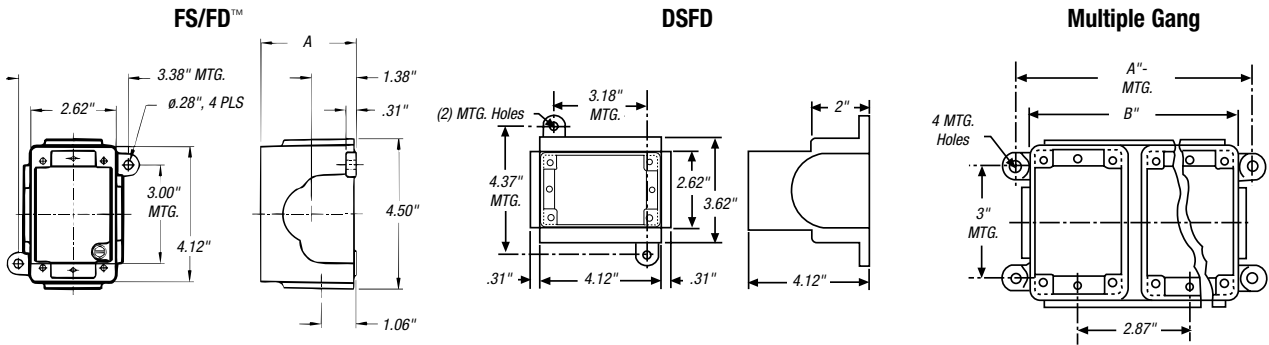
Outlets — Unless otherwise specified, furnished with one .75" outlet per gang, top or bottom. Additional outlets charged extra — see price list. Specify size and location.

Maximum Conduit — FS and FD: 1", one per gang top and bottom and one each side.

DSFD — One 1.5" or two .5" top and bottom.

Cast iron available on special order — consult your Thomas & Betts representative.

Dimensions



TYPE	A
FS	2.31
FD	2.94

A		B	
FS	FD	FS	FD
6.50"	6.50"	5.50"	5.62"