

STAR TECK® Teck Cable Fittings

STAR TECK® STE/STEX Series Cable Fittings

The STAR TECK® STE cable fitting series is designed for optimum integrity in ordinary applications. The STEX series is specially designed for classified hazardous areas. Both are designed to stand up to the harshest and most corrosive environment.

Application

- Provides means for passing jacketed metal clad cables through a bulkhead or enclosure in industrial and hazardous areas. (These fittings are suitable for hazardous areas when used with T&B sealing compound)
- Forms a mechanical grip and water- and/or oil-resistant termination
- Provides grounding continuity of cable armor

Features

- Powergrip grounding ring
- Removable armor-stop for greater cable ranges
- Built-in sealing device
- Elastomeric collar ring/ bushing for greater cable ranges
- Built-in jacket stripping gauge on gland nut
- Gland nut can be tightened with hammer and screwdriver

Range

- STAR TECK EXTREME® fittings are designed to accommodate a broad range of cables. Each hub range overlaps the adjacent hub range, thereby minimizing the possibility of mismatched cables and fittings in the field. They are available in hub sizes from ½" to 4" and will handle outer jacket diameters from .525" to 4.340"

Materials

Aluminum is standard material
 Add suffix "S" for steel with zinc plating
 Add suffix "PVC" for corrosion-resistant PVC coating
 Add suffix "SS" for stainless steel material

Cable Type

JMC, MC-HL, Teck

Environment Classification

- STE* Series
- Ordinary Location
 - Class I, Division 2†
 - NEMA 4, 4X (stainless steel), 6P
 - STE050 – STE200
 - NEMA 6P
 - STE250 – 400
 - NEMA 4
 - STE050 – 400
 - NEMA 4X (stainless steel)
- STEX** Series
- Class I, Division 1, Groups A, B, C, D
 - Class II, Division 1, Groups E, F, G
 - Class III
 - NEMA 4, 4X (stainless steel), 6P

UL Listed for Direct Burial when made from stainless steel material
 Suitable for use in wet locations and concrete tight (steel) applications per UL 514B

UL File No. E82038/E38947

CSA File No. LR638/LR23086

* These fittings are suitable for Class I hazardous locations when used in combination with a certified Class I hazardous location sealing fitting.

** Meets NEC® Class I Division 2/Zone 2 and Class II Division 2/Zone 22 requirements when installed as per Articles 501.10/505.15 and 502.10/506.15

*** May be used in hazardous areas with approved MC-HL or Teck cable (or equal) when installed in accordance with NEC®/CEC requirements.

Not applicable to all STEX series.

NEC and National Electrical Code are registered trademarks of the National Fire Protection Association, Inc.



STAR TECK® Teck Cable Fittings



STE Series Ordinary



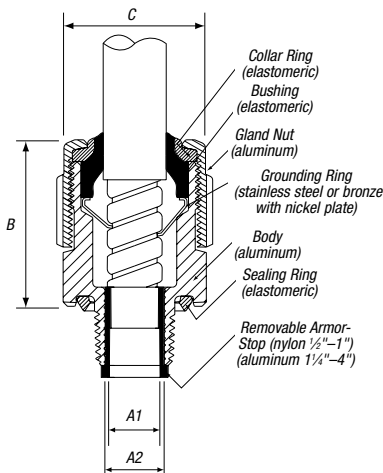
STEX Series Hazardous Locations



STAR TECK EXTREME® Jacketed Metal-Clad Cable Fittings

CAT. NO.	HUB SIZE	STRIP LENGTH (IN.)	GLAND TORQUE (IN.-LB.)	CABLE RANGE OVER JACKET (IN.)		CABLE RANGE OVER ARMOR (IN.)		DIMENSIONS (IN.)			SEALING COMPOUND REQUIRED		
				MIN.	MAX.	MIN.	MAX.	A1: THROAT DIA. MIN. W/END STOP	A2: THROAT DIA. MIN. WO/END STOP	B OVERALL	C MAX. O.D.	SC65 PUTTY (G)	SC4-KIT LIQUID (CC)
Ordinary Locations													
STO50-462#	½	1¼	300	.525	.650	.415	.570	N/A*	.395	2.020	1.224	—	—
STE050DATA**#	½	¾	300	.592	.693	.502	.603	.375	.515	2.100	1.360	—	—
STE050*	½	1¼	300	.600	.985	.520	.895	.505	.612	2.650	1.630	—	—
STE075*	¾	1¼	600	.860	1.205	.780	1.125	.655	.816	2.900	2.080	—	—
STE100*	1	1¼	700	.950	1.375	.870	1.295	.785	1.044	3.020	2.300	—	—
STE125*	1¼	1¼	1,000	1.150	1.625	.990	1.465	.970	1.250	4.010	2.820	—	—
STE150*	1½	1¼	1,200	1.440	1.965	1.280	1.805	1.260	1.562	4.290	3.250	—	—
STE200*	2	1¾	1,600	1.825	2.375	1.665	2.215	1.645	1.995	4.120	3.600	—	—
STE250	2½	2½	1,600	2.265	2.840	2.105	2.680	2.075	2.424	5.320	4.750	—	—
STE300	3	2½	1,600	2.670	3.270	2.545	3.145	2.531	2.890	5.400	5.400	—	—
STE350	3½	2½	1,600	3.220	3.870	3.090	3.640	3.065	3.460	5.360	5.900	—	—
STE400	4	2½	1,600	3.665	4.340	3.550	4.225	3.525	3.941	5.415	6.400	—	—
Hazardous Locations													
STX050-462*	½	1¼	300	.525	.650	.415	.570	N/A*	.395	2.500	1.630	7	4
STX050-464*	½	1¼	300	.600	.760	.490	.680	N/A*	.485	2.530	1.630	7	4
STEX075*	¾	1¼	600	.600	.985	.520	.895	.504	.678	3.400	1.820	14	7
STEX100*	1	1¼	700	.860	1.205	.780	1.125	.650	.833	3.580	2.300	30	16
STEX125*	1¼	1¼	1,000	.950	1.375	.870	1.295	.834	1.065	3.920	2.510	45	22
STEX150*	1½	1¼	1,200	1.150	1.625	.990	1.465	.958	1.273	5.020	3.260	80	43
STEX200*	2	1¾	1,600	1.440	1.965	1.280	1.805	1.250	1.560	5.120	3.620	125	66
STEX250	2½	2½	1,600	1.825	2.375	1.665	2.215	1.640	1.995	5.170	4.580	341	164
STEX300	3	2½	1,600	2.265	2.840	2.105	2.680	2.075	2.461	6.610	5.100	497	239
STEX350	3½	2½	1,600	2.670	3.270	2.545	3.145	2.531	2.864	7.380	5.790	965	464
STEX400	4	2½	1,600	3.220	3.870	3.090	3.640	3.055	3.461	7.650	6.190	1323	636
STX400-484#	4	—	1,600	3.810	4.030	3.680	3.870	—	—	—	—	1645	791
STX400-485#	4	—	1,600	3.965	4.185	3.835	4.025	—	—	—	—	1645	791

Conduit & Fittings — T&B® Cord & Cable Fittings



To specify other material, add the appropriate suffix to the catalog number.

DESIRED MATERIAL	SUFFIX	EXAMPLE
Aluminum fitting with grounding lock nut	GRL	STE-050GRL
Steel with zinc plate	S	STE-050S
Stainless steel	SS	STX050-462SS
Aluminum with PVC coating	PVC	STE-050PVC
Steel with PVC coating	S-PVC	STE-050S-PVC

* These products are UL Listed Watertight NEMA Type 6P

** UL tested for data cables

Does not have a removable armor stop.

Sealing Compounds — Used for Hazardous Locations

CAT. NO.	DESCRIPTION	VOLUME
SC65	Putty-Type Sealing Compound	60 grams
SC4-KIT	Liquid-Type Sealing Compound for Use in High Wire Density Applications (five or more wires)	2.8 fl. oz. (66 cc)