

## Pipe Straps, Pipe Clamps and Hangers

### Conduit and Cable Clamps

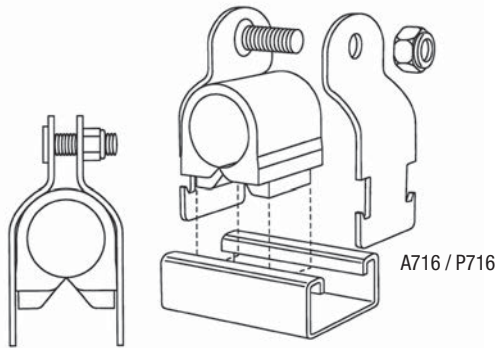
#### A716 Snap•Guard® Cushioned Clamp Tube Series

#### P716 Snap•Guard® Cushioned Clamp Pipe Series

Standard Finishes GoldGalv®

Available in Stainless Steel 316 use SS316 suffix. (i.e) A716-1SS316

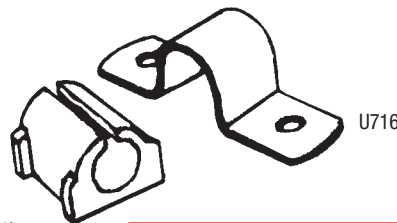
Electrogalvanized (Silver) - use EG suffix. (i.e) A716-1EG



- Assembly consisting of GoldGalv® finish steel clamp with bolt/locknut and cushion
- Secure pipes, tubes and hoses for fluid conductors.
- Installation is easy and requires no more time than a simple pipe clamp installation
- Cushion absorbs the shocks and associated vibrations from fluid surges in tubes, pipes and hoses
- It can handle temperatures from 149°C to -40°C (300°F to -40°F)
- Cushioned Clamp assemblies are available individually bagged

Assembly Cat. No.	Tubing		Assembly Cat. No.	Standard Pipe		Wt./C lb.
	Tube O.D. (in.)	Wt./C lb.		Nominal Pipe Size (in.)	Std. Ctn.	
A716-1/4	1/4	10	P716-1/4	1/4	25	10
A716-3/8	3/8	14	P716-3/8	3/8		14
A716-1/2	1/2	16	P716-1/2	1/2		16
A716-5/8	5/8	16	P716-3/4	3/4		18
A716-3/4	3/4	18	P716-1	1		22
A716-7/8	7/8	18	P716-1-1/4	1-1/4	27	
A716-1	1	22	P716-1-1/2	1-1/2	36	
A716-1-1/8	1-1/8	24	P716-2	2	43	
A716-1-1/4	1-1/4	27	P716-2-1/2	2-1/2	49	
A716-1-3/8	1-3/8	27	P716-3	3	60	
A716-1-1/2	1-1/2	36	P716-3-1/2	3-1/2	62	
A716-1-5/8	1-5/8	37	P716-4	4	94	
A716-1-3/4	1-3/4	37	-	-	10	
A716-1-7/8	1-7/8	43	-	-		
A716-2	2	43	-	-		
A716-2-1/8	2-1/8	44	-	-		
A716-2-3/8	2-3/8	49	-	-		
A716-2-5/8	2-5/8	53	-	-		
A716-3-1/8	3-1/8	62	-	-		
A716-4-1/8	4-1/8	94	-	-		

### U716 Two Hole Cushioned Clamp



- Guides, protects, and uniformly spaces line runs. Low cost, time saving method of attaching tubing and hose to equipment.
- Cushion is built to withstand the effects of most oils, chemical and industrial cleaning compounds, in temperatures from -45°C to 121°C (-50°F to 275°F). Interlock edge insures cushion remains in place.
- Attached with two standard fasteners to any flat surface, this clamp eliminates the use of special channels, providing a savings in both space requirements and cost
- Cushioned clamps reduce vibration, shock, and noise in fluid systems and eliminates electrolysis

Standard Finish – GoldGalv®

Assembly Cat. No.	Copper and Steel Tubing O.D. (in.)	Copper Water Pipe (nom.) (in.)	Normal Pipe Size (in.)	Std. Ctn.	Wt./C lb.
U716-1/4	1/4	-	-	25	3
U716-3/8	3/8	1/4	-		4
U716-1/2	1/2	3/8	1/4		6
U716-5/8	5/8	1/2	3/8		6
U716-3/4	3/4	5/8	-		7
U716-7/8	7/8	3/4	1/2	7	
U716-1	1	-	-	8	
U716-1-1/8	1-1/8	1	-	8	
U716-1-1/4	1-1/4	-	-	17	
U716-1-3/8	1-3/8	1-1/4	-	20	
U716-1-1/2	1-1/2	-	-	22	
U716-1-5/8	1-5/8	1-1/2	-	10	23
U716-2	2	-	-	41	
U716-2-1/8	2-1/8	-	-	41	
U716-2-3/8	2-3/8	-	-	44	