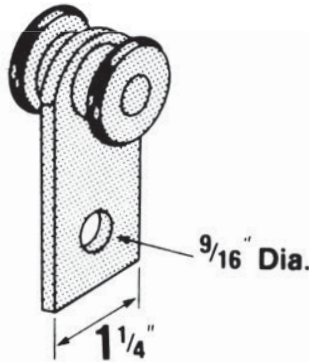


## Fittings and Brackets

### Special Application Fittings and Brackets

#### TR292



Can be used for Series A, E and H channels only.

Standard finish is Electrogalvanized.

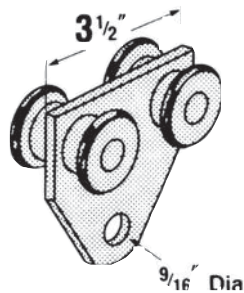
Frictionless needle bearings.

Design load: 500 lb.

Safety factor of 5.

Wt./C 59 lb.

#### TR294



Can be used for Series A, E and H channels only.

Standard finish is Electrogalvanized.

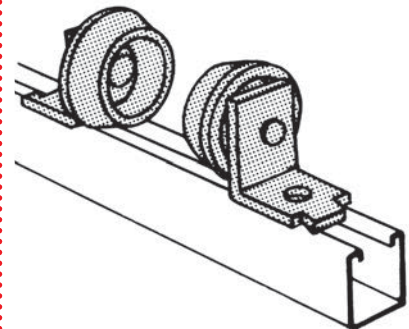
Frictionless needle bearings.

Design load: 1000 lb.

Safety factor of 5.

Wt./C 106 lb.

#### C728 Pipe Roller (Pair)



Cast aluminum rollers, steel brackets. Designed for standard saddles. Order separately for each pair of rollers: two 1/2 in. x 5/16 in. hex head cap screws and two 1/2 in. channel nuts. Space to suit O.D. of pipe and wrapping.

Design Load: 2350 lb.

Wt./C : 300 lb.

## Adjustable Universal Support

Support building services and access equipment on flat roofs and flat surfaces



The T&B Adjustable Universal Support (AUS) provides an easy method for supporting pipes, conduit and equipment on flat roofs, below raised floors and even on level ground applications. The AUS reduces installation time compared to other support solutions such as wooden blocks, cement blocks, straps and clips. These labor intensive solutions also increase the danger of roof membrane penetration.

The AUS system also allows for tool free adjustment of the pedestal height from 6 to 9 inches with a twist of the wrist. This ensures that the supported objects or pipes are uniformly supported and no high stress supports are carrying a disproportionate load in a single location.

Cat. No.	Description	Qty.
<b>AUS14-96</b>	Ajustable Universal Support (Base only)	1
<b>AUS-RISER-KIT</b>	Riser Kit	
A1200HS100PG	14 in. strut	1
H104-1/2X10EGC	12 in. threaded rod	2
E145-1/2EGC	Nut	8
E147-1/2EGC	Washer	8
E148-1/2EGC	Lock washer	4
<b>AUS-STRUT-KIT</b>	Bolt Kit	
A1200HS100PG	14 in. strut	1
E142-1/2X200EGC	Bolt	2
E145-1/2EGC	Nut	2
E147-1/2EGC	Washer	4
E148-1/2EGC	Lock washer	2
<b>AUS125PCSS6</b>	4-1/2 in. stainless steel 316 strap (to restrain 1-1/4 in. pipe)	2
<b>AUS150PCSS6</b>	5 in. strap (to restrain 1-1/2 in. pipe)	2
<b>AUS200PCSS6</b>	6 in. strap (to restrain 2 in. pipe)	2

