

Finishes and Materials

Finishes on Steel

Bare (Suffix BC)

Pregalvanized (Suffix PGC)

A zinc coating is applied to the steel coil at the mill prior to fabrication. Once the material is worked by roll-forming, cutting, or punching, minimal protection is provided for raw edges. This weakness is typical with precoated material and affects the channel section around holes, extreme ends, and the edges of the U-shape lips. Superstrut® pregalvanized material is in conformance with ASTM A-525/G-90 specification standards, representing 0.90 oz. of zinc per square foot of steel. This finish is often referred to as “mill galvanized.”

Electrogalvanized (Suffix EGC)

Often referred to as “zinc plated” or “electroplated zinc,” the steel and 0.5 mils of zinc are bonded by an electrolysis process. Electrogalvanizing is most commonly applied to small fittings, hardware, and threaded products.

GoldGalv® (No Suffix)

Gold coloured zinc dichromate is applied over the zinc, producing a chemically bonded non porous barrier for protection from moisture and air. This extends the protective life of the zinc, and provides an excellent base for paint, if desired. The GoldGalv® hardware finish also provides a low electrical resistance when grounding of the system is required. Superstrut® channel and fittings are plated after fabrication, so there are no unprotected edges from cutting or punching. Where field cutting is necessary or scratches occur due to construction handling, you still have the sacrificial protection of the plated zinc to minimize the corrosion of raw edges and prevent spreading.

Hot-Dipped Galvanized (Suffix HDGC)

The material is zinc coated after fabrication providing total product protection on all surfaces. The fabricated channel or fitting is suspended and then dipped into tanks of hot zinc for a prolonged period, creating a coherent bond. The result is superior corrosion resistance as compared to pregalvanized material. Hot-dipped galvanizing is not recommended for threaded products, considering the zinc coating thickness will often disrupt the threads. Superstrut® hot-dipped galvanized is in conformance with ASTM Specifications A-123 (formerly A-386) and A-153. Superstrut channels maintain a minimum 1.5 oz. of zinc per square foot of steel or 2.5 mils (ASTM A-123, Thickness Grade 65). This finish is also referred to as “Hot-dipped galvanized after fabrication”.

Epoxy Powder Coated — Green, Grey or White (Suffix GR, GY or WH)

Epoxy powder resins are applied electrostatically to the steel after fabrication. Once the material is completely covered with the powder-form epoxy, it proceeds through a 400°F (204°C) baking process for ten minutes, creating a chemical bond. This results in a minimum of 1.5 mil thickness of epoxy coating providing excellent resistance to chipping or peeling.

Special Materials

Aluminum (Suffix ALC)

Superstrut® channel is available in aluminum. Fittings in HDG finish or fiberglass material are suggested for fastening products.

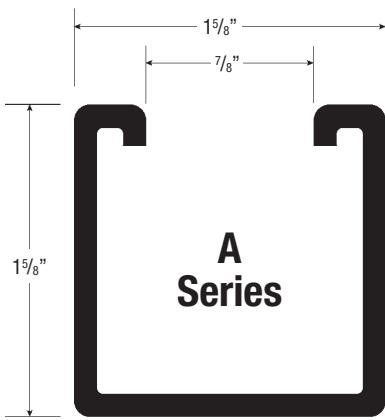
Stainless Steel (Suffix SS)

Superstrut® channel is supplied in Type 316 (T316L) stainless steel. All fittings and accessories are in 316SS (SS6). Contact your Regional Sales Office for availability.

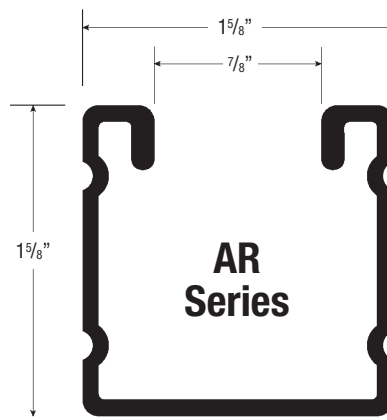
Thomas & Betts reserves the right to change material and finish specifications without notice, to improve its products.

Channels and Concrete Inserts

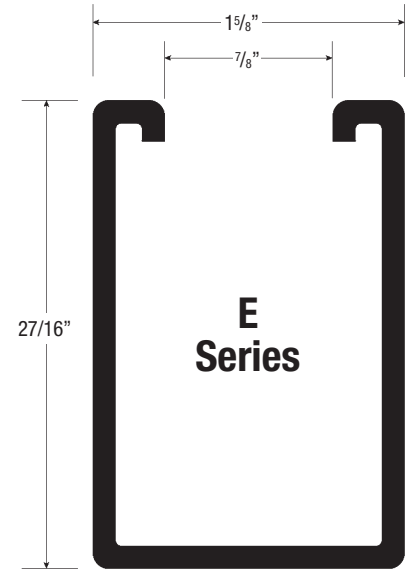
Channels at Full Scale
Available in 10 and 20 foot length



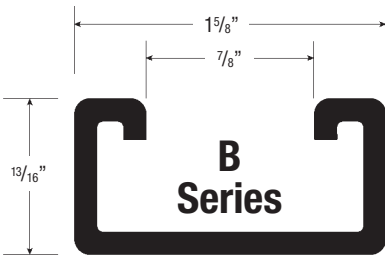
A Series
A1200 12 gauge
A1400 14 gauge



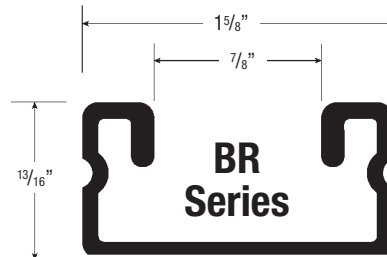
AR Series
16 gauge only



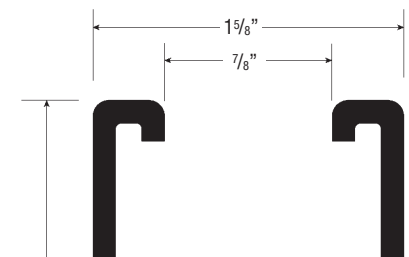
E Series
E1200 12 gauge



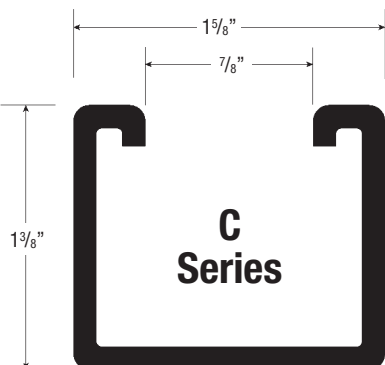
B Series
B1200 12 gauge
B1400 14 gauge



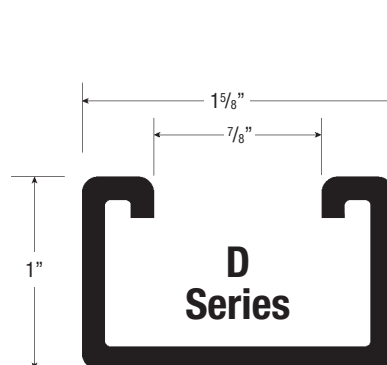
BR Series
16 gauge only



H Series
H1200 12 gauge



C Series
C1200 12 gauge



D Series
D1200 12 gauge

Channels and Concrete Inserts

Channel Selection Chart

CHANNEL	HOLE CONFIGURATIONS					LENGTH	FINISH ON STEEL						SPECIAL MATERIALS			
	HS	S	SW	P	KO		ft.	B(C)	PG(C)	EG(C)	GoldGalv®	HDG(C)	GR(C),GY(C),WH(C)	AL(C)	T316L	SS6(C)
A1200						10 or 20										
A1400						10 or 20										
AR1600						10 or 20										
B1200						10 or 20										
B1400						10 or 20										
BR1600						10 or 20										
C1200						10 or 20										
D1200						10 or 20										
E1200						10 or 20										
H1200						10 or 20										

Legend

EXAMPLES	HOLE CONFIGURATION		FINISH ON STEEL		SPECIAL MATERIALS	
	Suffix		Suffix		Suffix	
A120010PG Plain channel, 10 ft., pre- galvanized finish	blank	Plain, no holes	BC	Bare	AL	Aluminum
	HS	Half slot	PGC	Pre-galvanized	SS6 (C)	Stainless Steel Type 316
B1400P10 Punched channel, 10 ft., GoldGalv® finish	S	Slotted	EGC	Electrogalvanized	T316L	Stainless Steel Type 316L
	SW	Slotted wide	Blank	GoldGalv®		
	P	Punched	HDGC	Hot dipped galvanized		
E1200HS20HDG Half slot channel, 20 ft. hot dipped galvanized	KO	Knockout	GR,GY,WH	Epoxy paint in green (GR), grey (GY), or white (WH)		
		Standard offering		A minimum order quantity may apply		

Hole Configuration

