

# Metallic — channel tray

## Covers — cover selection guide

A

### Tray covers

Tray covers are available for all widths of tray. They should be installed where falling objects may damage cables or where vertical tray run is accessible by pedestrian or vehicular traffic.

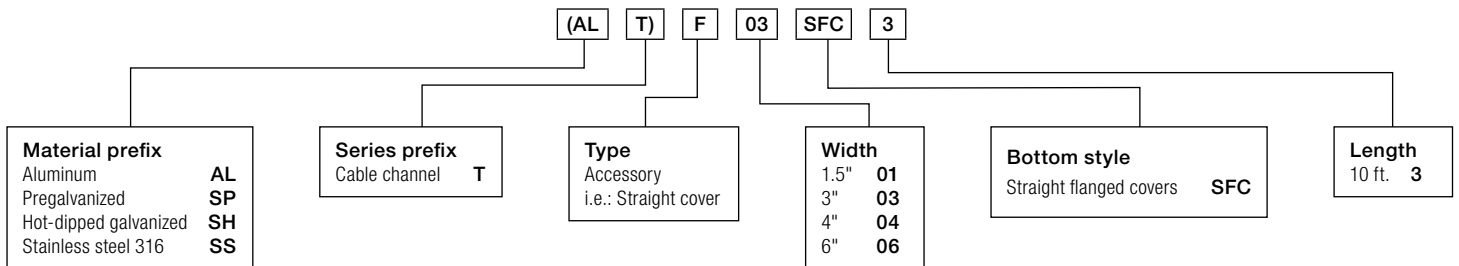


Note: Cover mounting hardware must be ordered separately.

### Straight covers

- These covers provide maximum mechanical protection for cables with limited heat build up.
- Flanged covers have a 1/2" flange.

### Straight cover number selection



\*Hot-dipped galvanized covers only available in 1500mm lengths

### Quantity of standard cover clamps required

Straight section (10 ft.): 6 pieces

Note: When using heavy-duty cover clamps, only half the quantity of pieces are required.

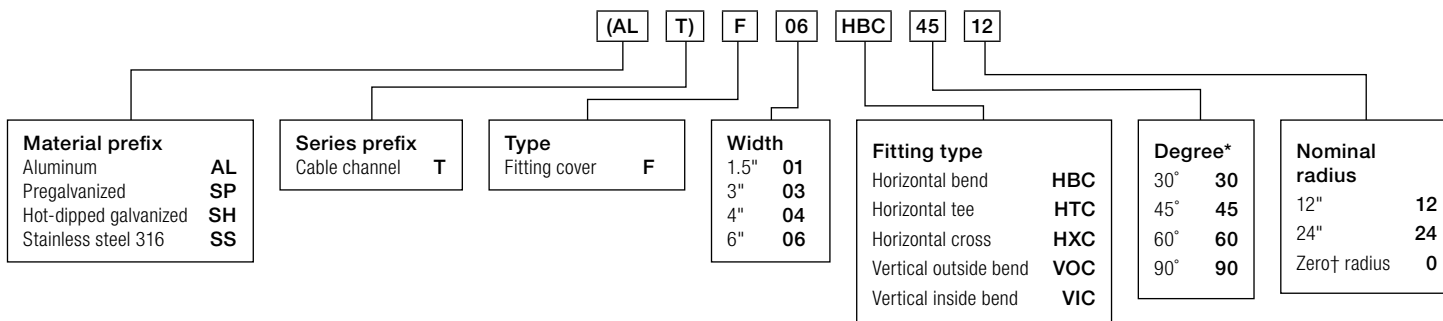
## Fitting covers

- Fitting covers are available to complete your cable channel layout.
- All fitting covers are flanged.



Note: Cover mounting hardware must be ordered separately.

## Fitting cover number selection



\*Required for HB, VI & VO only.  
†Contact your T&B representative for availability

### Quantity of standard cover clamps required

Horizontal and vertical bends: 4 pieces  
 .....  
 Tees: 6 pieces  
 .....  
 Crosses: 8 pieces

Note: When using heavy-duty cover clamps, only half the quantity of pieces are required.