

# Metallic — aluminum

## Fittings — explaining the fitting styles

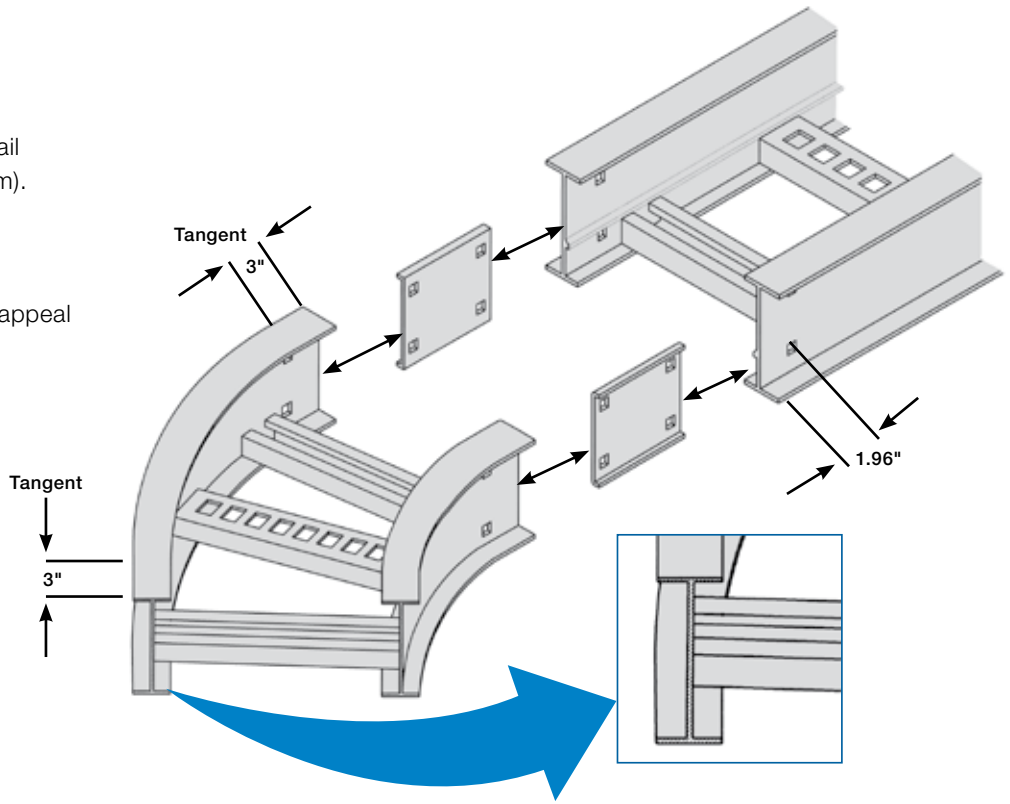
A

### H-style

H-style fittings constructed with side rail having inner and outer flanges (H-beam).

#### Features and benefits

- Improved system rigidity
- Improved aesthetics and customer appeal
- Easy to install
- Easy-to-align straights and fittings
- Splice plate holds components together while hardware is inserted
- Premium design
- 3" tangents on fittings
- 7" length snap-in splice plate

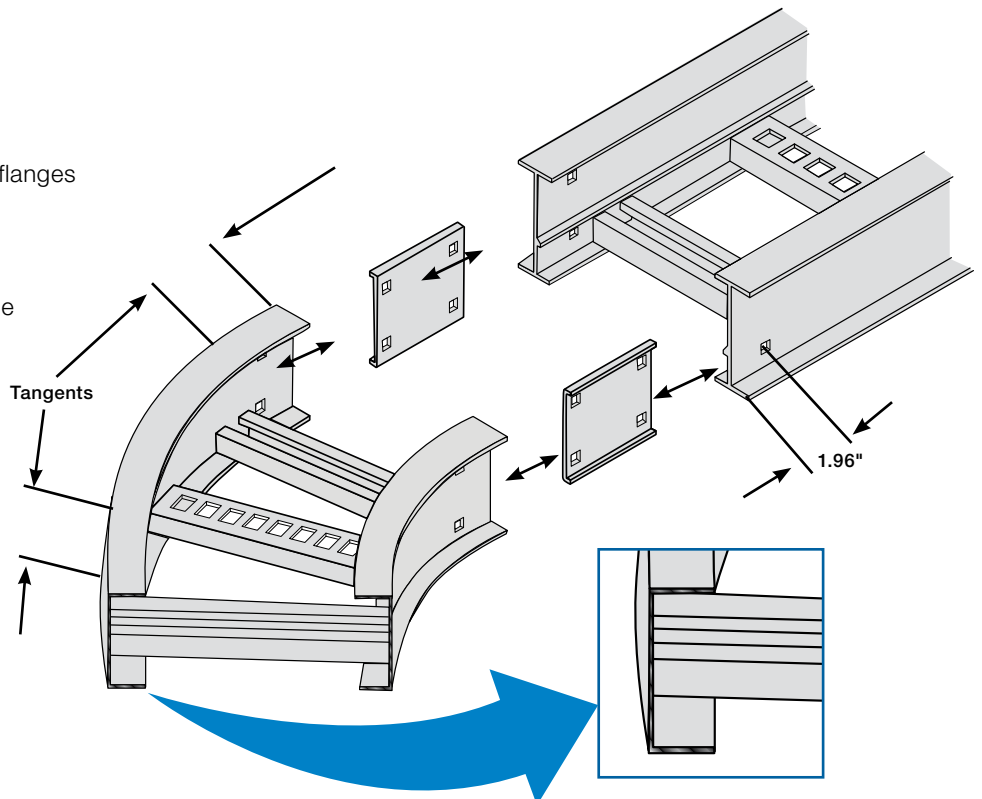


### U-style

U-style fittings constructed with side rail flanges on the inside only (U-beam).

#### Features and benefits

- U-style and H-style are interchangeable
- Lowest purchase price
- Easy to install
- Occupies less space in areas where space is restrained
- Easy-to-align straights
- Splice plate holds components together while hardware is inserted
- Lighter fittings are easy to handle
- Functional design
- 7" length snap-in splice plate



T&B aluminum cable tray is composed of two distinct systems, H-style and U-style. These systems are interchangeable.

# Metallic — aluminum

## Fittings — horizontal fittings selection

Fittings in a cable tray system are required to change cable routing direction and to join straight sections and other fittings. This step of the cable tray selection process requires that the specifier chooses between two distinct styles, U and H.

Note: The U-style and H-style systems are interchangeable.

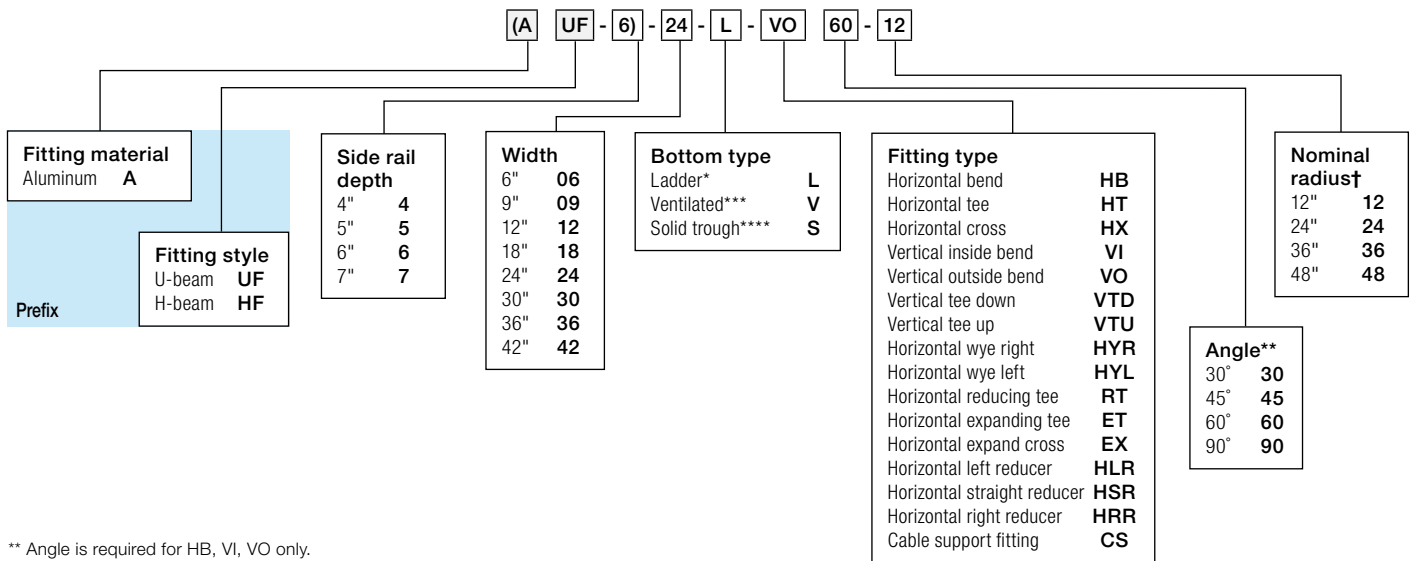
### H-style fitting

- An H-shaped extrusion forms the fitting side rail.
- H-style fittings utilize a 7" splice plate and the fittings have 3" tangents at the extremities.
- This style offers enhanced aesthetics to the end user and increased system rigidity.

### U-style fitting

- A U-shaped extrusion forms the fitting side rail.
- U-style fittings utilize a 7" splice plate and the fittings have tangents at the extremities.
- This style offers maximum quality versus cost ratios of the installation.

### Fitting number selection



\*\* Angle is required for HB, VI, VO only.

† Radius is not required for the following fitting types: HYR, HYL, HLR, HRR, HSR

\* Manufactured with 9" rung spacing measured at the center line of fitting.

\*\*\* Manufactured with 4" edge to edge rung spacing measured at the center line of fitting.

\*\*\*\* Manufactured with flat sheet inserted under rungs with 9" rung spacing measured at the center line of fitting.

NOTE: The following special options are available. To order, add the indicated suffix to the very end of the catalog number.

FO = Flange out

G = Ground holes (specify locations and size)

H = Stainless steel type 316 hardware nuts and bolts

MR = Marine rung alternated

UM = Marine rung holes up

RU = Rung with square holes on top

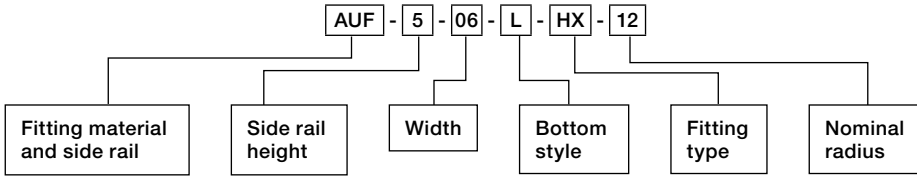
FR = Flat rung

# Metallic – aluminum

## Fittings – U-style fittings horizontal crosses

A

### Catalog number system



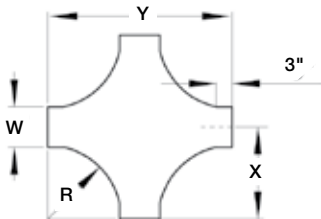
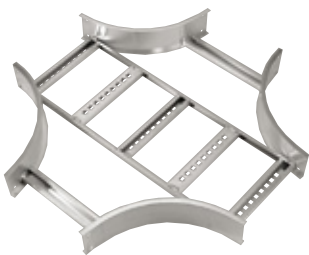
### Selection guide

Inside tray widths: 6, 9, 12, 18, 24, 30, 36, 42"

Nominal radius: 12, 24, 36, 48"

Bottom styles: L – ladder, V – ventilated, S – solid

Side rail heights: 4" – 7"



### Horizontal cross – U-style

Nominal Radius (in.)	Width (in.)	Cat. No.	Dimensions (in.)	
			X	Y
12	6	AUF(†)-06-(*)-HX12	15	30
	9	AUF(†)-09-(*)-HX12	16½	33
	12	AUF(†)-12-(*)-HX12	18	36
	18	AUF(†)-18-(*)-HX12	21	42
	24	AUF(†)-24-(*)-HX12	24	48
	30	AUF(†)-30-(*)-HX12	27	54
24	36	AUF(†)-36-(*)-HX12	30	60
	42	AUF(†)-42-(*)-HX12	33	66
	6	AUF(†)-06-(*)-HX24	27	54
	9	AUF(†)-09-(*)-HX24	28½	57
	12	AUF(†)-12-(*)-HX24	30	60
	18	AUF(†)-18-(*)-HX24	33	66
36	24	AUF(†)-24-(*)-HX24	36	72
	30	AUF(†)-30-(*)-HX24	39	78
	36	AUF(†)-36-(*)-HX24	42	84
	42	AUF(†)-42-(*)-HX24	45	90
	6	AUF(†)-06-(*)-HX36	39	78
	9	AUF(†)-09-(*)-HX36	40½	81
48	12	AUF(†)-12-(*)-HX36	42	84
	18	AUF(†)-18-(*)-HX36	45	90
	24	AUF(†)-24-(*)-HX36	48	96
	30	AUF(†)-30-(*)-HX36	51	102
	36	AUF(†)-36-(*)-HX36	54	108
	42	AUF(†)-42-(*)-HX36	57	114
48	6	AUF(†)-06-(*)-HX48	51	102
	9	AUF(†)-09-(*)-HX48	52½	105
	12	AUF(†)-12-(*)-HX48	54	108
	18	AUF(†)-18-(*)-HX48	57	114
	24	AUF(†)-24-(*)-HX48	60	120
	30	AUF(†)-30-(*)-HX48	63	126
48	36	AUF(†)-36-(*)-HX48	66	132
	42	AUF(†)-42-(*)-HX48	69	138

(†) Insert side rail height. (\*) Insert bottom style to complete Cat. No. Tees include two pairs/crosses include three pairs of splice plates with hardware. T&B aluminum cable tray is composed of two distinct systems, H-style and U-style. These systems are interchangeable.