

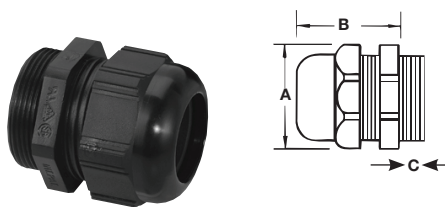
## Flexible Cord

### Nonmetallic Fittings

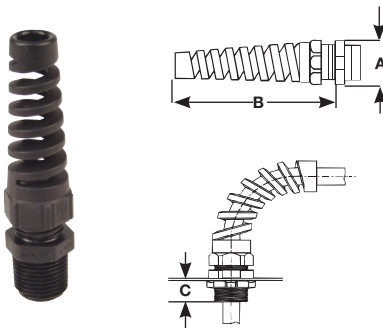
- Liquidtight and stainrelief (IP68)
- Corrosion resistant polyamide (nylon)
- Superior anti-vibration protection
- Acme threads on body prevent skipping and speed installation
- Indoor or outdoor use
- Quick installation
- Working temperatures:  
Static: -40°C to 115°C  
Dynamic: -20°C to 100°C
- Resistant to: Salt water, weak acids, gasoline, alcohol, oil, grease and common solvent



### Straight fittings



### 90° fittings



### CC-PG29-B / CC-PG36-B



Cat. No.	Trade Size (in.)	KO Size (in.)	Dia. Over Cable Jacket (in.)		Throat (in.)	Dimensions (in.)		
			Min.	Max.		A	B	C
<b>"Skintight" Straight Cord Fittings (Nylon)</b>								
CISLR-9-03*	3/8	3/8	0.069	0.187	0.375	3/4	31/32	17/32
CISL-9-03*	3/8	3/8	0.115	0.312	0.375	3/4	31/32	17/32
CISLR-13-04	1/2	1/2	0.170	0.450	0.500	15/16	1-3/32	5/8
CISL-13-04	1/2	1/2	0.230	0.546	0.500	1-1/16	1-7/32	5/8
CISLR-21-04	1/2	1/2	0.250	0.485	0.600	1-9/32	1-11/32	5/8
CISL-21-04	1/2	1/2	0.450	0.709	0.600	1-9/32	1-11/32	5/8
CISLR-21-06	3/4	3/4	0.250	0.485	0.667	1-5/16	1-11/32	5/8
CISL-21-06	3/4	3/4	0.450	0.709	0.667	1-5/16	1-11/32	5/8
<b>90° "Skintight" Cord Fittings (Nylon)</b>								
CISLFR-9-03*	3/8	3/8	0.065	0.230	0.375	3/4	2-7/16	7/32
CISLF-9-03*	3/8	3/8	0.105	0.315	0.375	3/4	2-7/16	7/32
CISLFR-13-04	1/2	1/2	0.095	0.290	0.500	15/16	3-15/32	5/8
CISLF-13-04	1/2	1/2	0.170	0.450	0.500	15/16	3-15/32	5/8
CISLFR-21-06	3/4	3/4	0.250	0.490	0.667	1-5/16	4-17/32	5/8
CISLF-21-06	3/4	3/4	0.435	0.705	0.667	1-5/16	4-17/32	5/8

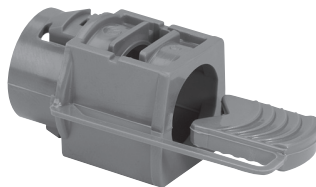
\* UL Recognized



Cat. No.	Trade Size (in.)	Drill Hole (in.)	Dia. Over Cable Jacket (in.)		Throat (in.)	Dimensions (in.)	
			Min.	Max.		A	B
<b>"Skintight" Metric Thread, Straight Cord Fittings (Nylon)</b>							
CC-PG29-B	PG29	1-1/2	0.709	0.984	1.175	1-11/16	1-5/8
CC-PG36-B	PG36	1-7/8	0.866	1.260	1.436	2-1/8	2

Dry Location

CI3360



Cat. No.	Trade Size (in.)	KO Size (in.)	Clamping Range (in.)	
			Min.	Max.
<b>Nonmetallic Fittings</b>				
CI3360	1/2	1/2	0.30	0.60

Complete with metric locknut. Working temperatures: -30°C (-22°F) to 80°C (176°F)

CI1703-PL\* / CI1706-PL\*



Cat. No.	Trade Size (in.)
<b>Nylon Locknuts</b>	
CI1703-PL*	3/8
CI1704-PL*	1/2
CI1706-PL*	3/4

\* Not CSA certified