

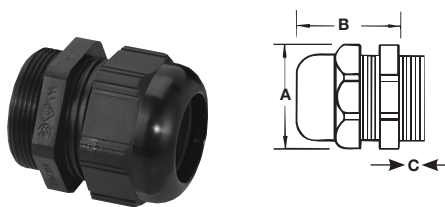
Flexible Cord

Nonmetallic Fittings

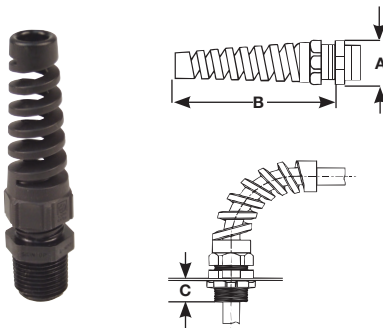
- Liquidtight and stainrelief (IP68)
- Corrosion resistant polyamide (nylon)
- Superior anti-vibration protection
- Acme threads on body prevent skipping and speed installation
- Indoor or outdoor use
- Quick installation
- Working temperatures:
Static: -40°C to 115°C
Dynamic: -20°C to 100°C
- Resistant to: Salt water, weak acids, gasoline, alcohol, oil, grease and common solvent



Straight fittings



90° fittings



CC-PG29-B / CC-PG36-B



| Cat. No. | Trade Size (in.) | KO Size (in.) | Dia. Over Cable Jacket (in.) | | Throat (in.) | Dimensions (in.) | | |
|---|------------------|---------------|------------------------------|-------|--------------|------------------|---------|-------|
| | | | Min. | Max. | | A | B | C |
| "Skintight" Straight Cord Fittings (Nylon) | | | | | | | | |
| CISLR-9-03* | 3/8 | 3/8 | 0.069 | 0.187 | 0.375 | 3/4 | 31/32 | 17/32 |
| CISL-9-03* | 3/8 | 3/8 | 0.115 | 0.312 | 0.375 | 3/4 | 31/32 | 17/32 |
| CISLR-13-04 | 1/2 | 1/2 | 0.170 | 0.450 | 0.500 | 15/16 | 1-3/32 | 5/8 |
| CISL-13-04 | 1/2 | 1/2 | 0.230 | 0.546 | 0.500 | 1-1/16 | 1-7/32 | 5/8 |
| CISLR-21-04 | 1/2 | 1/2 | 0.250 | 0.485 | 0.600 | 1-9/32 | 1-11/32 | 5/8 |
| CISL-21-04 | 1/2 | 1/2 | 0.450 | 0.709 | 0.600 | 1-9/32 | 1-11/32 | 5/8 |
| CISLR-21-06 | 3/4 | 3/4 | 0.250 | 0.485 | 0.667 | 1-5/16 | 1-11/32 | 5/8 |
| CISL-21-06 | 3/4 | 3/4 | 0.450 | 0.709 | 0.667 | 1-5/16 | 1-11/32 | 5/8 |
| 90° "Skintight" Cord Fittings (Nylon) | | | | | | | | |
| CISLFR-9-03* | 3/8 | 3/8 | 0.065 | 0.230 | 0.375 | 3/4 | 2-7/16 | 7/32 |
| CISLF-9-03* | 3/8 | 3/8 | 0.105 | 0.315 | 0.375 | 3/4 | 2-7/16 | 7/32 |
| CISLFR-13-04 | 1/2 | 1/2 | 0.095 | 0.290 | 0.500 | 15/16 | 3-15/32 | 5/8 |
| CISLF-13-04 | 1/2 | 1/2 | 0.170 | 0.450 | 0.500 | 15/16 | 3-15/32 | 5/8 |
| CISLFR-21-06 | 3/4 | 3/4 | 0.250 | 0.490 | 0.667 | 1-5/16 | 4-17/32 | 5/8 |
| CISLF-21-06 | 3/4 | 3/4 | 0.435 | 0.705 | 0.667 | 1-5/16 | 4-17/32 | 5/8 |

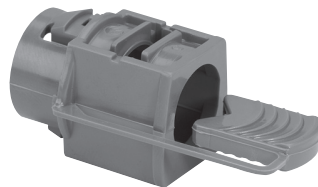
* UL Recognized



| Cat. No. | Trade Size (in.) | Drill Hole (in.) | Dia. Over Cable Jacket (in.) | | Throat (in.) | Dimensions (in.) | |
|--|------------------|------------------|------------------------------|-------|--------------|------------------|-------|
| | | | Min. | Max. | | A | B |
| "Skintight" Metric Thread, Straight Cord Fittings (Nylon) | | | | | | | |
| CC-PG29-B | PG29 | 1-1/2 | 0.709 | 0.984 | 1.175 | 1-11/16 | 1-5/8 |
| CC-PG36-B | PG36 | 1-7/8 | 0.866 | 1.260 | 1.436 | 2-1/8 | 2 |

Dry Location

CI3360



| Cat. No. | Trade Size (in.) | KO Size (in.) | Clamping Range (in.) | |
|-----------------------------|------------------|---------------|----------------------|------|
| | | | Min. | Max. |
| Nonmetallic Fittings | | | | |
| CI3360 | 1/2 | 1/2 | 0.30 | 0.60 |

Complete with metric locknut. Working temperatures: -30°C (-22°F) to 80°C (176°F)

CI1703-PL* / CI1706-PL*



| Cat. No. | Trade Size (in.) |
|-----------------------|------------------|
| Nylon Locknuts | |
| CI1703-PL* | 3/8 |
| CI1704-PL* | 1/2 |
| CI1706-PL* | 3/4 |

* Not CSA certified

Rigid Conduit

Locknuts



| | | Cat. No. | | | Trade Size (in.) |
|-----------------|-----------|-----------|-----------|--------|------------------|
| Steel | Aluminum | Nylon | Sealing | Zinc | |
| Locknuts | | | | | |
| — | — | CI1703-PL | — | — | 3/8 |
| CI1704* | CI1704-AL | CI1704-PL | CI1704-SL | LN-201 | 1/2 |
| CI1706* | CI1706-AL | CI1706-PL | CI1706-SL | LN-202 | 3/4 |
| CI1708* | CI1708-AL | — | CI1708-SL | LN-203 | 1 |
| CI1710* | CI1710-AL | — | CI1710-SL | LN-204 | 1-1/4 |
| CI1712* | CI1712-AL | — | CI1712-SL | LN-205 | 1-1/2 |
| CI1716* | CI1716-AL | — | CI1716-SL | LN-206 | 2 |
| CI1720* | CI1720-AL | — | CI1720-SL | LN-207 | 2-1/2 |
| CI1724* | CI1724-AL | — | CI1724-SL | LN-208 | 3 |
| CI1728* | CI1728-AL | — | CI1728-SL | LN-209 | 3-1/2 |
| CI1732* | CI1732-AL | — | CI1732-SL | LN-210 | 4 |
| CI1740* | — | — | — | — | 5 |
| CI1748* | — | — | — | — | 6 |

* cULus Listed

CI1704 / CI1748*



LN-201 / LN-210



CI1703-PL / CI1706-PL



CI1704-AL / CI1732-AL



CI1704-SL / CI1732-SL

