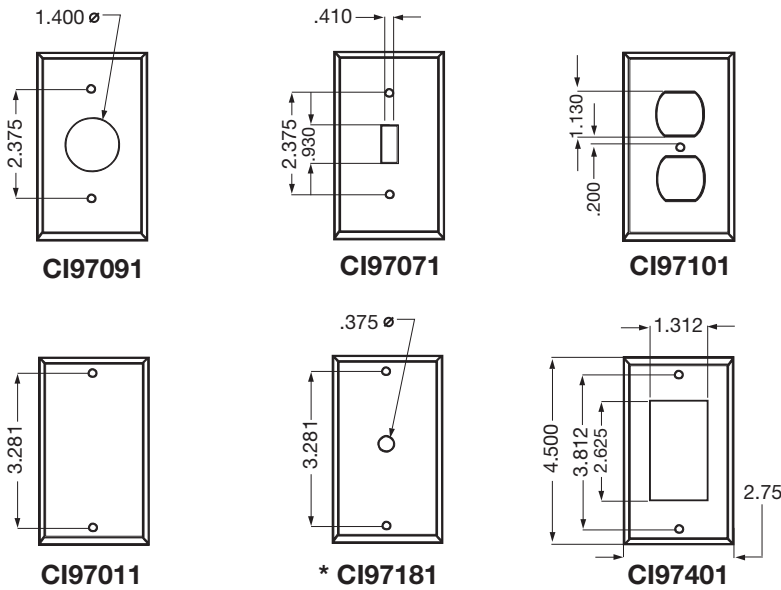


Device Boxes

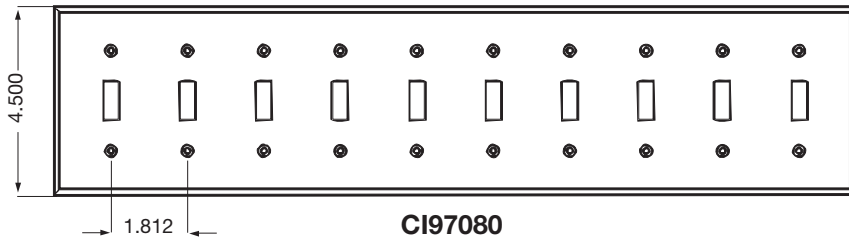
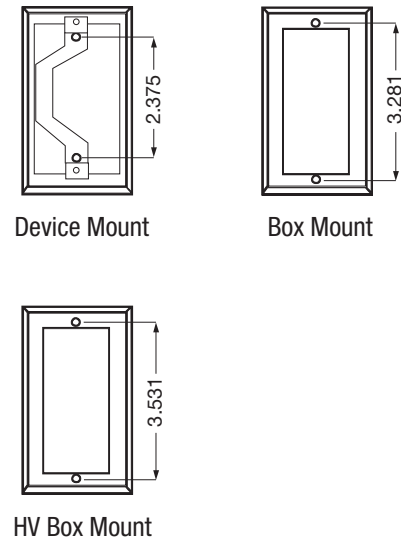
Stainless Steel Wall Plates

Dimensions

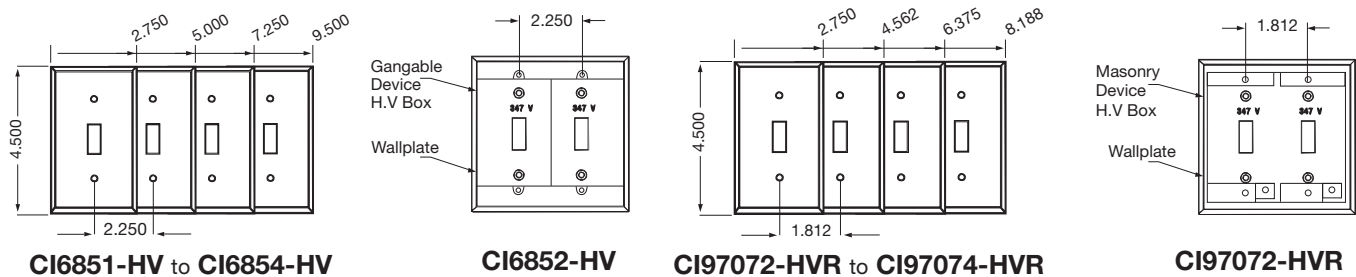
Standard all Plate



Mounting Hole Spacings



347 V Wall Plate



Dimensions are in inches.

## Device Boxes

### Stainless Steel Wall Plates

#### Selection Guide

DESCRIPTION	1 GANG	2 GANGS	3 GANGS	4 GANGS	5 GANGS	6 GANGS	7 GANGS	8 GANGS	9 GANGS	10 GANGS
Toggle Switch	CI97071	CI97072	CI97073	CI97074	CI97075	CI97076		CI97078	CI97079	CI97080
Duplex Receptacle	CI97101	CI97102								
Blank Boxes										
Mounting 3.281 in.	CI97011	CI97012	CI97013	CI97014						
Blank Device										
Mounting 2.375 in.	CI97121	CI97122	CI97123	CI97124						
GFCI / Decora	CI97401	CI97402	CI97403	CI97404	CI97405	CI97406				
GFCI Conversion Kit		BC97002								
Combination										
Switch / Receptacle		CI97532			CI97563	CI97573				
15 A Receptacle	CI97091									
Telephone 3/8 in. Opening	* CI97181									
Telephone 5/8 in. Opening	* CI97191									
Emergency On / Off	CI6851-RF									
347 V Toggle										
for 1204 Series	CI6851-HV	CI6852-HV	CI6853-HV	CI6854-HV						
347 V Blank										
for 1204 Series	CI97151-HV	CI97152-HV		CI97154-HV						
347 V Toggle	USE									
for MBD and MBS Series	CI6851-HV	CI97072-HVR	CI97073-HVR	CI97074-HVR						
347 V Blank	USE									
for MBD and MBS Series	CI97151-HV	CI97152-HVR		CI97154-HVR						

 \* Not applicable.

#### Technical Specifications

### Type 430 Stainless Steel

- 16% chrome
- Corrosion resistant
- Recommended for industrial, commercial and institutional applications
- Supplied with nickel plated brass screws
- 1 to 3 gangs — Vertically Brushed
- 4 gangs and up — Horizontally Brushed