

CABLESMART® 40N2 SERIES RACEWAY

Two-Piece, Dual-Channel, Large



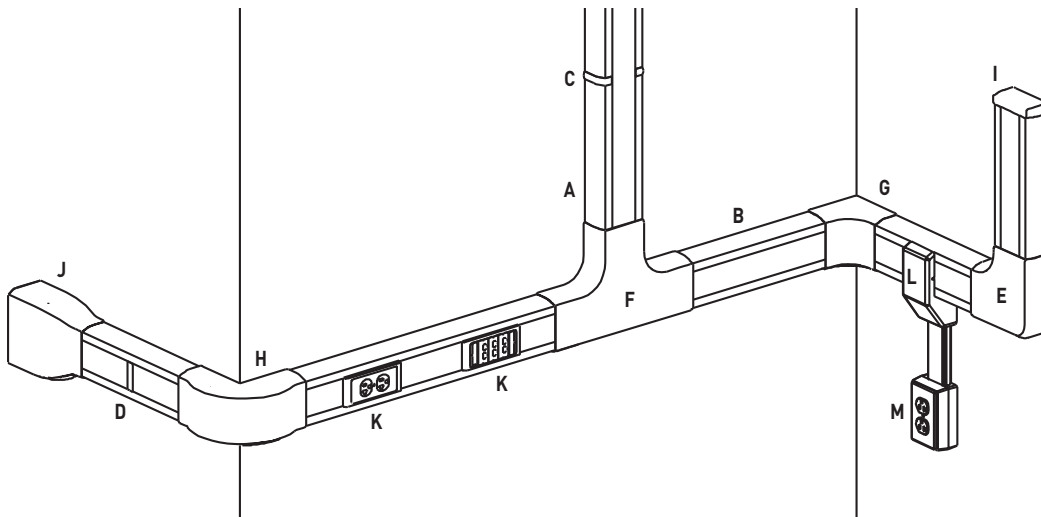
Two-piece, dual-channel, large raceway. Lightweight and easy-to-install. Ideal for both power and communication installations.

CODE REFERENCE

cULus Listed Raceway:
File E90378 Guide RJTX.
Complies with flammability requirements of UL-5A.

Fittings: File E90377 Guide RJYT.
Meets Article 388 of NEC.
UL Listed for up to 600V.
Meets Section 12-1600 of CEC.

CableSmart 40N2 Series Raceway System Layout



NOTE: Illustration is for showing product applications only.

KEY

- | | | |
|-----------------------------------|---------------------------------------|---|
| A. 40N2B08 Raceway Base | F. 40N2F15 Bend Radius Tee | J. 40N2F21 Divided Entrance End Fitting |
| B. 40N2C08 Raceway Cover | G. 40N2F17 Bend Radius Internal Elbow | K. 40N2F31 Twin Cover Device Bracket |
| C. 40N2F05 Base Clip | H. 40N2F19 Bend Radius External Elbow | L. 40N2F74 Divided Transition Fitting |
| D. 40N2F06 Cover Clip | I. 40N2F20 Blank End Fitting | M. PSB1 One-Gang Device Box |
| E. 40N2F11 Bend Radius Flat Elbow | | |

COLOR OPTIONS



Cablesmart® 40N2 Series Raceway Part Numbers with a "V" suffix are available in an ivory finish. Part Numbers with a "WH" suffix have a white finish. 40N2 Series Raceway is paintable using latex paint or stain.

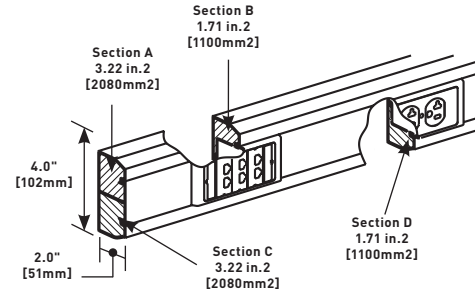
Custom color options are also available. Consult the factory for more information.

CABLESMART® 40N2 SERIES RACEWAY

Ordering Information

40N2 Series Raceway Wire Fill Capacities for Communications

	CABLE/WIRE SIZE	O.D. (Approx. Dia.)		SECTION C 40% FILL	SECTION D 40% FILL
		Inches	[mm]		
UNSHIELDED TWISTED PAIR	4-pair, 24 AWG, Cat 3	0.190	[4.8]	45	24
	4-pair, 24 AWG, Cat 5e	0.210	[5.3]	37	19
	4-pair, 24 AWG, Cat 6	0.250	[6.3]	26	13
	4-pair, 24 AWG, Cat 6a**	0.354	[9.0]	13	6
	25-pair, 24 AWG	0.410	[10.4]	9	5
COAXIAL	RG6/U	0.270	[6.9]	22	11
FIBER	ZipCord	0.118 x 0.236	[3 x 6]	103	55
	Round 4 Strand Fiber	0.187	[4.8]	46	24
	Round 6 Strand Fiber	0.256	[6.5]	25	13



NOTE: For additional information, refer to the Technical Section.

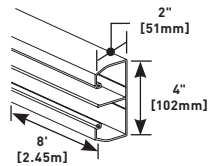
* 40% fill is the maximum designed cable fill based on TIA/EIA 569-A.

** Category 6 augmented (6a) cable for 10 gigabit ethernet – max allowed cable diameter per addenda No. 11 ANSI TIA/EIA 568-B.2.

40N2 Series Raceway Wire Fill Capacities for Power

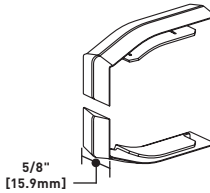
WIRE SIZE THHN/THWN	O.D. (Approx. Dia.) Inches []	NUMBER OF COMPARTMENTS		MAX NUMBER OF CONDUCTORS BOTH COMPARTMENTS
		COMP. A	COMP. B	
14 AWG	0.111 [2.8]	20	20	28
12 AWG	0.130 [3.3]	18	18	36
10 AWG	0.164 [4.2]	17	17	24
8 AWG	0.216 [5.5]	5	15	20
6 AWG	0.254 [6.5]	5	5	10

40N2B08 Two-Compartment Raceway Base



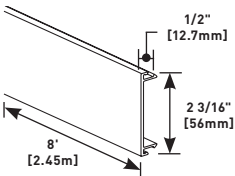
Two equal compartments. Use with 40N2 Cover only. Available in 8' [2.4m] lengths with pre-punched mounting holes, packed 48' [14.6m] per carton. Available in ivory (40N2B08V) or white (40N2B08WH).

40N2F05 Base Clip



Covers seams between sections of 40N2B08 Raceway Base. Available in ivory (40N2F05V) or white (40N2F05WH).

40N2C08 Full Width Raceway Cover



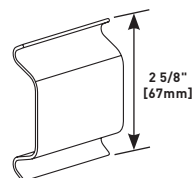
Use with 40N2B08 Base. Available in 8' [2.4m] lengths, packed 48' [14.6m] per carton. Available in ivory (40N2C08V) or white (40N2C08WH).

40N2F06 Cover Clip



Covers seams between sections of 40N2C08 Raceway Cover. Available in ivory (40N2F06V) or white (40N2F06WH).

40N2FWC Wire Clip



Used to retain cables in raceway during installation.