

# PLUGMOLD® NM2000 SERIES™



Two-piece, single channel raceway. Easy-to-install and ideal for basic power or communication installations.

## CODE REFERENCE

**cULus Listed Base & Blank Cover:**  
File E4376 Guide RJBT.

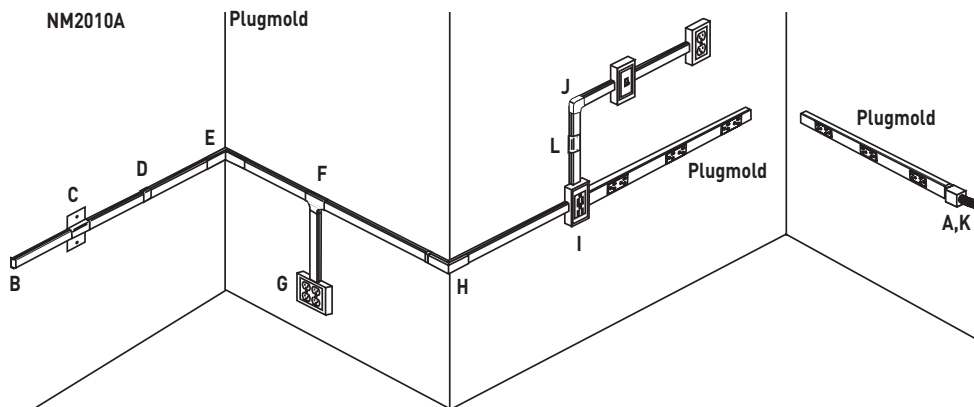
**Multioutlet Assemblies:**  
File E15191 Guide PVGT.

**Fittings:**  
File E41751 Guide RJPR.

**Base and Blank Cover and Plugmold Series with Snapicoil Harness:**  
Meets Article 386 of NEC.  
Meets Section 12-3032 of CEC.

**Plugmold Wired Sections:**  
Meets Article 380 of NEC.  
Meets Section 12-3032 of CEC.

## Plugmold NM2000 Series System Layout



NOTE: Illustration is for showing product applications only.

## KEY

- A. NM2010A Entrance End Fitting
- B. NM2010B Blank End Fitting
- C. NM2051H Horizontal Wall Box Adapter
- D. NM2006 Cover Clip
- E. NM2017 Internal Elbow
- F. NM2015 Tee Fitting
- G. NM2048-2 Two-Gang Device Box
- H. NM2018 External Elbow
- I. NM2048 Single-Gang Device Box
- J. NM2011 Flat Elbow
- K. NM2010A Entrance End Fitting
- L. NM2051V Vertical Wall Box Adapter Plugmold Plus Multioutlet System

## COLOR OPTIONS



Plugmold® Plus NM2000 Series™ Part Numbers without a prefix have an ivory finish unless otherwise specified.

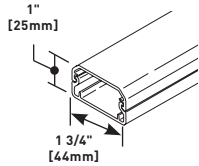
**Custom color options are also available. Consult the factory for more information.**

# PLUGMOLD® NM2000 SERIES™

## Ordering Information

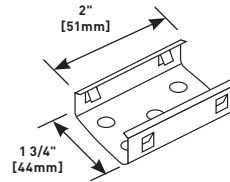
### Plugmold NM2000 Series Ordering Information (continued)

#### NM2000BC Base and Cover



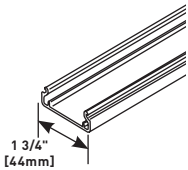
NM2000B and NM2000C packed ten 5' [1.5m] lengths of each per carton.

#### NM2003 Supporting Clip



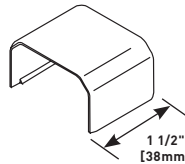
Supports lengths of raceway at any point desired. Mount to surface with No. 8 flathead screw.

#### NM2000B Raceway Base



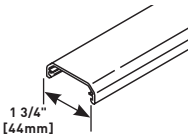
Single channel plastic base, ivory finish. Packed ten 8' [2.4m] lengths per carton.

#### NM2006 Cover Clip



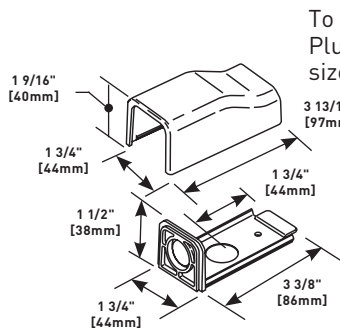
Covers seam where lengths of cover or base meet.

#### NM2000C Raceway Cover



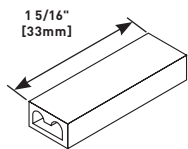
Tapered snap-on cover. Textured ivory finish. Packed ten 8' [2.4m] lengths per carton.

#### NM2010A Entrance End Fitting



To end feed raceway or Plugmold strip. Has 1/2" trade size KO on end and bottom.

#### W30/W30G Pressure-Type Wire Connectors

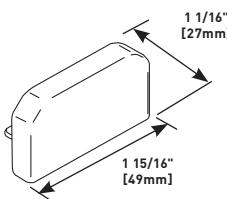


NOTE: Not for use with aluminum conductors.

W30 - For common connection of two, three, or four No. 12 or No. 14 solid copper conductors.

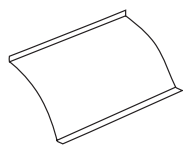
W30G - For connection of equipment grounding of 2, 3, or 4 solid conductors No. 14 or No. 12 AWG. 300V maximum; 20A 105° C maximum.

#### NM2010B Blank End Fitting



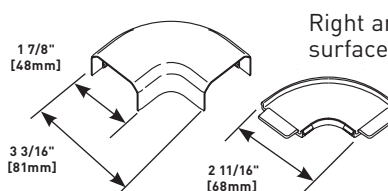
Closes off open end of NM2000 Series Raceway.

#### NM2000WC Wire Clip



Holds wire or cable in place or for use when conductors bypass receptacles.

#### NM2011 Flat Elbow



Right angle turns on same surface.