

FLOOR BOX SYSTEMS

Quick Selection Guide

Wiremold® Floor Boxes are TopGuard protected to meet and exceed the UL scrub water exclusion requirement.



Above-Grade Floor Boxes for Concrete Floors (continued)

STEEL BOXES										
Box Model	Box Type	Service Capability	Box Capacity	Box Construction	Depth Behind Device Plates	KO Sizes	Cover Model	Cover Construction	Cover & Flange Part Nos.	Notes
800 Series 800LCK	Round	Single	1 Gang	Steel	N/A	1/2" – 3/4" Trade Size	Brass	Tile, Carpet	825 Series	Flush Devices, Fully Adjustable
880 Series 885B/886B	Round	Single	1 Gang	Steel	885B: 2 3/4" [51mm] 886B: 2 1/4" [57mm]	885B: 1/2" – 3/4" 886B: 1/2" – 1" Trade Size	Metal, Polycarbonate	Tile, Carpet	895, 896 Series	Flush Devices, Fully Adjustable
OmniBox 880S1, 880M1	Rectangular	Single	1 Gang (4) #12 AWG/ Gang or (6) Cat 6A/Gang	Steel	880S1: 2 3/4" [70mm] 880M1: 1 3/4" [44mm]	880S1: 1/2" – 1" 880M1: 1/2" – 3/4" Trade Size	Metal, Polycarbonate	Tile, Carpet	817, 818, 827, 828, 829, 830 Series	Flush Devices, Fully Adjustable
OmniBox 880S2, 880M2	Rectangular	Dual	2 Gangs (4) #12 AWG/ Gang or (6) Cat 6A/Gang	Steel	880S2: 2 3/4" [70mm] 880M2: 1 3/4" [44mm]	880S2: 1/2" – 1" 880M2: 1/2" – 3/4" Trade Size	Metal, Polycarbonate	Tile, Carpet	827, 828, 829, 830 Series	Flush Devices, Fully Adjustable
OmniBox 880S3, 880M3	Rectangular	Triple	1 Gang (4) #12 AWG/ Gang or (6) Cat 6A/Gang	Steel	880S3: 2 3/4" [70mm] 880M3: 1 3/4" [44mm]	880S3: 1/2" – 1" 880M3: 1/2" – 3/4" Trade Size	Metal, Polycarbonate	Tile, Carpet	828, 829, 830, 837, 838 Series	Flush Devices, On-Grade or Above-Grade
RPSFB	Round	Dual	2 Gangs	PVC	3 1/2" [89mm]	3/4" – 2"	Die-Cast Aluminum	Tile, Carpet	RPAV3CTC, RP7CTC, RPAMD4CTC, RPAMD8CTC, RP4FFCTC, RPAM2CTC, RP9AM2CTC	Surface Devices, On-Grade or Above-Grade
RFB Series RFB2	Rectangular	Triple	1 Gang (4) #12 AWG/ Gang or (6) Cat 6A/Gang	Steel	3" [76mm]	3/4" – 1 1/4" Trade Size	FloorPort Die-Cast Aluminum	Tile, Carpet, Wood, Terrazzo	FPCT, FPBT, FPFPT Series	Recessed Devices, On-Grade or Above-Grade
RFB Series RFB4	Rectangular	Triple	1 Gang (4) #12 AWG/ Gang or (6) Cat 6A/Gang	Steel	2" [51mm]	3/4" – 1 1/4" Trade Size	FloorPort Die-Cast Aluminum	Tile, Carpet, Wood, Terrazzo	FPCT, FPBT, FPFPT Series	Recessed Devices, On-Grade or Above-Grade
RFB Series RFB4E	Rectangular	Triple	4 Gangs	Steel	3 1/2" [89mm]	3/4" – 2" Trade Size	Evolution Series Poke-Thru Covers	Tile, Carpet, Wood, Terrazzo, Bare Concrete	6CT & 6CTC Series	Recessed Devices, Fully Adjustable
RFB Series RFB6	Rectangular	Triple	6 Gangs	Steel	3 1/4" [83mm]	3/4" – 1 1/4" Trade Size	FloorPort Die-Cast Aluminum	Tile, Carpet, Wood, Terrazzo	FPCT, FPBT, FPFPT Series	Recessed Devices, On-Grade or Above-Grade
RFB Series RFB6E	Rectangular	Triple	6 Gangs	Steel	3 1/4" [83mm]	3/4" – 1 1/4" Trade Size	Evolution Series Poke-Thru Covers	Tile, Carpet, Wood, Terrazzo, Bare Concrete	8CT Series	Recessed Devices, Fully Adjustable
RFB Series RFB9	Rectangular	Triple	9 Gangs	Steel	2 1/2" [64mm]	3/4" – 1 1/4" Trade Size	Die-Cast Aluminum	Tile, Carpet, Wood, Terrazzo	RFB119TC	Recessed Devices, On-Grade or Above-Grade
RFB Series RFB11	Rectangular	Triple	11 Gangs	Steel	2 1/2" [64mm]	3/4" – 2" Trade Size	Die-Cast Aluminum	Tile, Carpet, Wood, Terrazzo	RFB119TC	Recessed Devices, On-Grade or Above-Grade

Fire Classified Floor Boxes – Add "FC" Suffix to part number for fire classified version. All fire classified boxes feed with 1 1/4" conduit feeds.

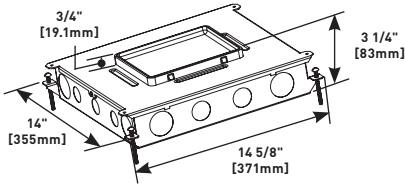
NOTE: Most Wiremold floor boxes and accessories are listed by Underwriters Laboratories Inc., and comply with Federal Specifications W-C-583b in one of the following types and classes: Type I-Fully adjustable, Type II-Semi-adjustable, Type III-Non-adjustable, Class 1-Watertight, Class 2-Concrete-tight.

RESOURCE RFB® SERIES FLOOR BOXES

RFB6 Series

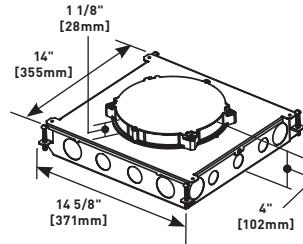
RFB6 & RFB6E Multiservice Steel Recessed Floor Boxes Ordering Information

RFB6 Six-Compartment Box



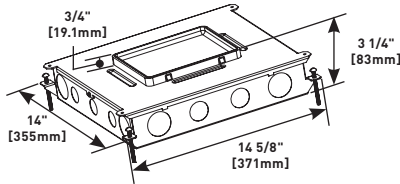
For use in either concrete or wood floors. Fully adjustable with tunnel compartment. Supplied with two (2) duplex mounting plates, two (2) communication mounting plates (RFB62A), and (2) blank mounting plates. Other plates sold separately.

RFB6E Six-Compartment Box



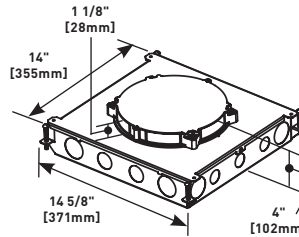
For use in concrete floors. For use with round Evolution™ Series covers. Fully adjustable with tunnel compartments. Supplied with two (2) duplex mounting plates. Other plates sold separately.

RFB6-OG Six-Compartment On-Grade Box



For use in either concrete or wood floors. Fully adjustable with tunnel compartment. Supplied with two (2) duplex mounting plates, two (2) communication mounting plates (RFB62A), and (2) blank mounting plates. Other plates sold separately.

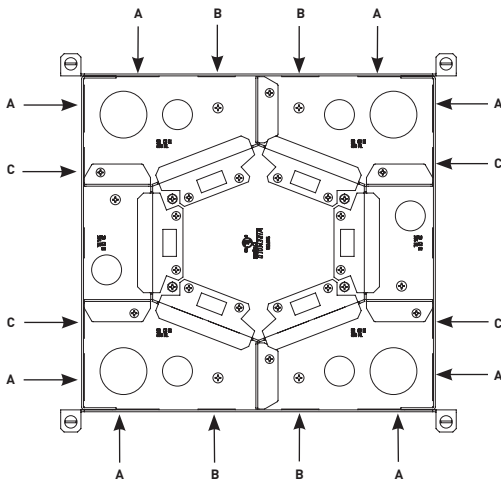
RFB6E-OG Six-Compartment On-Grade Box



For use in concrete floors. For use with round Evolution™ Series covers. Fully adjustable with tunnel compartments. Supplied with two (2) duplex mounting plates. Other plates sold separately.

RFB6 & RFB6E Series Multiservice Steel Recessed Floor Boxes Compartment Capacities, Knockout Locations and Sizes

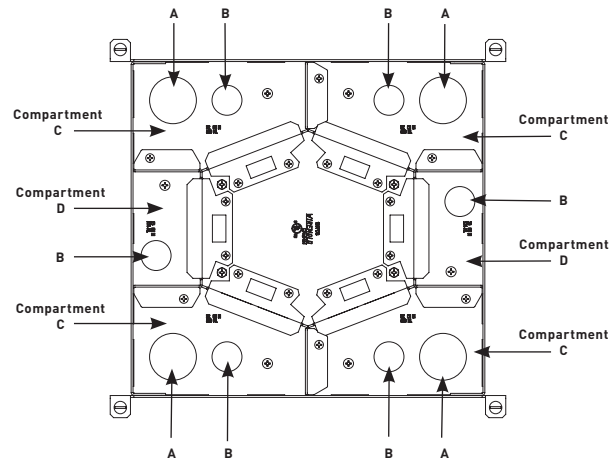
Side Knockout Locations



KNOCKOUTS

- A = Side KO 1 1/4" [32mm]
- B = Side KO 1" [25mm]
- C = Side KO 3/4" [19.1mm]

Bottom Knockout Locations
Compartment Wire and Communication Capacities



KNOCKOUTS

- A = Bottom KO 1 1/4" [32mm]
- B = Bottom KO 3/4" [19.1mm]

COMPARTMENT CAPACITIES

- C = Power or Data 52 in³ [852ml]
- D = Power or Data 23 in³ [376ml]