

EVOLUTION™ SERIES FLOOR BOXES



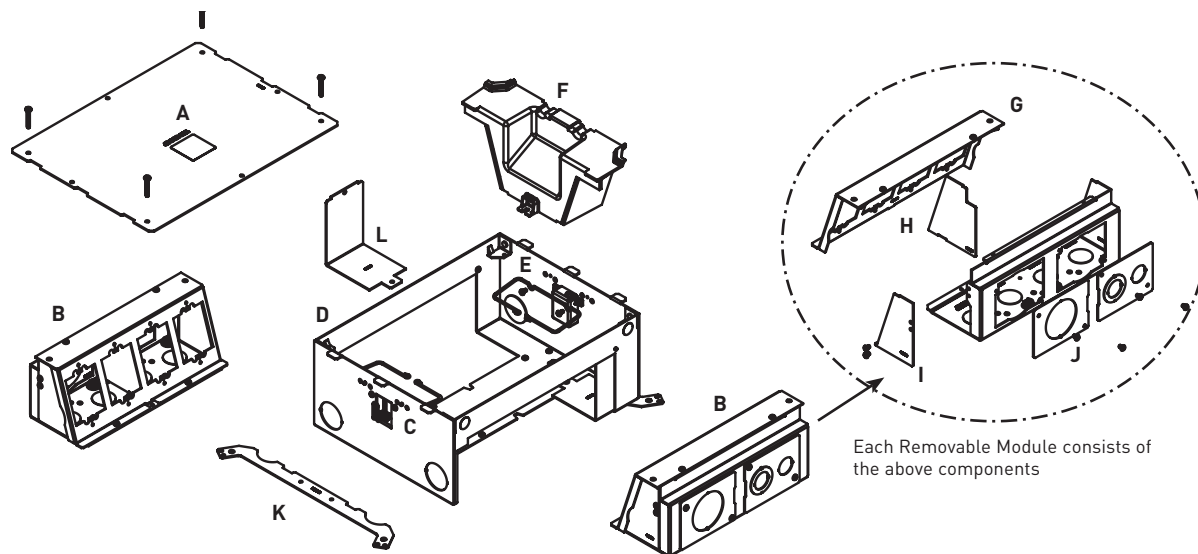
Wiremold® Evolution™ Series Floor Boxes are the latest advancement in the most complete and innovative line of floor solutions in the industry.



CODE REFERENCE

cULus Listed
Metallic Outlet Boxes:
 File E2961 Guide QCIT.
 Meets Article 314.27(C) of NEC.

Evolution™ Series Floor Box Components



KEY

- | | |
|---|---------------------------------------|
| A. Mud Cap (temporary construction cover) | G. Mounting Bracket |
| B. Removable Module | H. Divider (removable repositionable) |
| C. Toggle Clamp | I. End Cap |
| D. Box | J. Back Knockout Plate |
| E. Cable Guide | K. Concrete Level Leg |
| F. Tunnel | L. "L" Bracket |

All items shown above are included with Evolution Series floor boxes.

COLOR OPTIONS



Evolution Series Floor Box Covers are available in the following powder coated finishes: "BK" black, "GY" gray, "NK" nickel, "BS" brass, and "BZ" bronze.

Custom color options are also available. Consult the factory for more information.

EVOLUTION™ SERIES FLOOR BOXES

Evolution™ Series Floor Box Model Selection Guide

EVOLUTION FLOOR BOX MODEL	EFB6S	EFB6S-OG	EFB6S-FC	EFB8S	EFB8S-OG	EFB8S-FC	EFB10S	EFB10S-OG	EFB10S-FC	EFBFF	EFBFF-OG
INSTALL FLOOR TYPE: Concrete Floor Raised Floor Wood Floor	YES YES YES	YES	YES	YES YES YES	YES	YES	YES YES YES	YES	YES	YES YES YES	YES
BOX TYPE:	Standard	On-Grade	Fire Classified	Standard	On-Grade	Fire Classified	Standard	On-Grade	Fire Classified	Furniture Feed	Furniture Feed
BOX CAPACITY:	6-Gangs	6-Gangs	6-Gangs	8-Gangs	8-Gangs	8-Gangs	10-Gangs	10-Gangs	10-Gangs	2-Gangs	2-Gangs
DEPTH BEHIND PLATES:	3 7/8" [98mm]	3 7/8" [98mm]	3 7/8" [98mm]	3 1/2" [89mm]	3 1/2" [89mm]	3 1/2" [89mm]	3 1/2" [89mm]	3 1/2" [89mm]	3 1/2" [89mm]	N/A	N/A
REMOVABLE MODULES:	YES	YES	YES	YES	YES	YES	YES	YES	YES		
DEVICE PLATE SIZE:	Uses Standard Size Device Plates: Single-Gang [2 3/4" x 4 1/2"] [70mm x 114mm]			Uses Standard Size Device Plates: Single-Gang [2 3/4" x 4 1/2"] Double-Gang [4 9/16" x 4 1/2"] Triple-Gang [6 3/8" x 4 1/2"]			Uses Non-Standard Size Device Plates [4.652" x 2.302"] [117mm x 58mm]				
COVERS: COLORS:	EFB610CTC Series, EFB610BTC Series, EFB610CT Series, EFB610BT Series Black, Gray, Brass, Nickel, Bronze									FPFFTC Series Black, Gray, Brass, Nickel, Bronze, Brushed Aluminum	
FLOOR SURFACE:	Carpet, Tile, Wood, Bare (Polished) Concrete & Terrazzo									Carpet, Tile & Wood	
KO SIZE RANGE: (TRADE SIZE)	3/4" to 2"	3/4" to 2"	1 1/4"	3/4" to 2"	3/4" to 2"	1 1/4"	3/4" to 2"	3/4" to 2"	1 1/4"	1/2" to 2"	1/2" to 2"
FIRE RATING: (HOURS)			Up to 2 Hours			Up to 2 Hours			Up to 2 Hours		

NOTE: Covers open full 180°, slide cable egress doors, painted interior.

Evolution Series Floor Box Compartment Volumes

MODEL	OUTER COMPARTMENTS (EACH)		CENTER COMPARTMENTS (EACH)	
EFB6 SERIES	32 in. ³	[524ml]	38.5 in. ³	[630ml]
EFB8 SERIES	27.5 in. ³	[450ml]	34 in. ³	[557ml]
EFB10 SERIES	23.5 in. ³	[385ml]	27.5 in. ³	[450ml]
EFBFF SERIES	64.5 in. ³	[1056ml]	64.5 in. ³	[1056ml]



Finished Interior

Fully finished interior removes the unfinished industrial look while increasing visibility, making it easier to see where to plug in devices.



Configurable with Removable Modules

In addition to having removable dividers and a tunnel feature that allows all compartments to be connected, the modules are removable through the top or back of the floor box. This allows for easier installations and facilitates moves, adds and changes without having to disconnect services, saving time and money.



Audio/Video Design

Evolution Series Floor Boxes have been developed specifically with the A/V industry in mind. With 3 1/2" – 3 7/8" [89mm x 98mm] of wiring capacity behind each device plate, these boxes will accept devices from leading A/V manufacturers including Extron® Electronics and Crestron®.



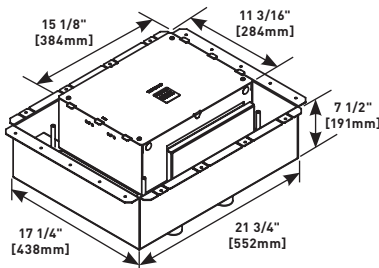
Durable 180° Articulating Hinge

Hinge design enables covers to open a full 180° and lie flat on the floor surface with the durability to support a large cover. Provides easy access to all interior modules and activations while reducing tripping hazards.

EVOLUTION™ SERIES FLOOR BOXES

Evolution™ Series 10-Gang Floor Box Ordering Information (continued)

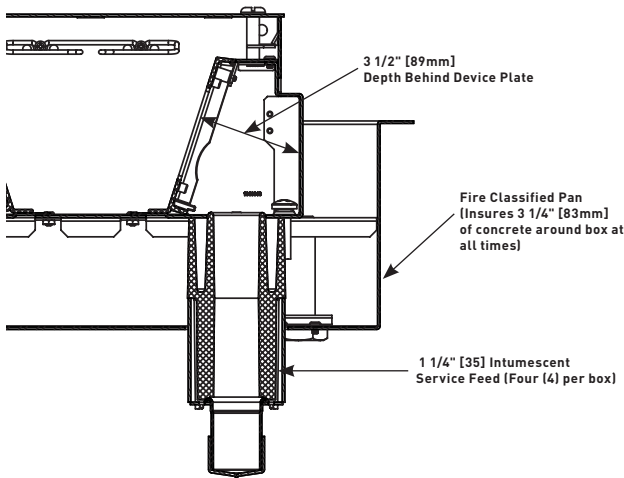
EFB10S-FC 10 -Gang Fire-Classified Floor Box



Designed to be installed in above grade concrete floors while maintaining the fire classification of the floor. This box is classified for use in 2-hour fire rated floors. **Box comes complete with all components needed for initial installation. Included components are:** protective/disposable cover, tunnel system for connecting the two modules of compartments, fire classified pan, two (2) removable modules, four (4) 1 1/4" trade size intumescent conduit feeds and two (2) cable management guides. **Items not included with the box and sold separately are:** receptacles, communication jacks, and A/V devices and device plates.

NOTE: For use on bare (polished) concrete or terrazzo floors EFB610-CTR must be used. (Sold separately).
NOTE: Designed for new construction applications.

NOTE: Consult structural engineer before making cuts into decking. Add additional supports as instructed by the structural engineer.

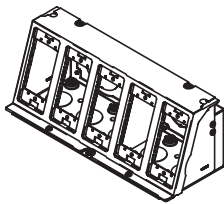


Outlet Boxes and Fittings Classified for Fire Resistance Legrand/Wiremold (R8209)

Type EFB6S-FC, EFB8S-FC and EFB10S-FC preset electrical insert for use in 2-hour fire rated D900 Series Floor-Ceiling designs constructed with nominal 2" or 3" deep fluted steel floor units having a nominal 5" wide valley and crests spaced 12" OC, with a minimum 3 1/4" [83mm] thickness of structural concrete topping. The assembly preset electrical insert with floor plate kit and service activations fitting will not reduce the 2-hour fire rating of the floor assembly when installed in accordance with the installation instructions accompanying the preset electrical insert and when the preset electrical insert are spaced 2' [0.61m] OC with not more than one unit per 4 square feet [0.37m²] of floor area in each span.

Evolution™ Series 10-Gang Floor Box Accessories Ordering Information

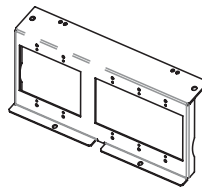
EFB10M Module



Bank of five (5) compartments that accept power, communications and audio/video devices. Accepts EFB10 Series device plates [2 1/32" x 4 5/8"] [58mm x 117mm]. Includes one mounting bracket, one back plate, one divider, two (2) end caps and two (2) knockout plates. Device plates sold separately.

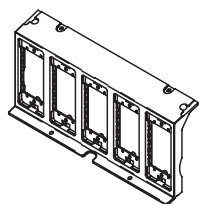
NOTE: Module will fit on either side of the floor box.

EFB10S-23GMB Mounting Bracket



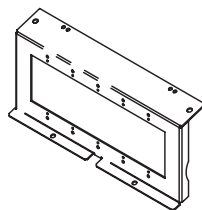
Equipped with one (1) 2-gang standard size device opening and one (1) 3-gang standard size device opening. Accepts a standard 2-gang [4 9/16" x 4 1/2" [116mm x 114mm]] and a 3-gang [6 3/8" x 4 1/2" [162mm x 114mm]] device plate. Ideal for 2-gang A/V devices such as Crestron® 2-gang and 3-gang digital media devices. Device plates and devices supplied by others.

EFB10-MB Mounting Bracket



Holds up to five (5) devices for power, communications or audio/video. Bracket accepts EFB10 Series device plates [2 1/32" x 4 5/8"] [58mm x 117mm] device plates sold separately.

EFB10S-5GMB Mounting Bracket



Holds a standard 5 gang device plate. Device plate dimensions: 10" x 4 1/2" [254mm x 116mm].