

EVOLUTION™ SERIES FLOOR BOXES



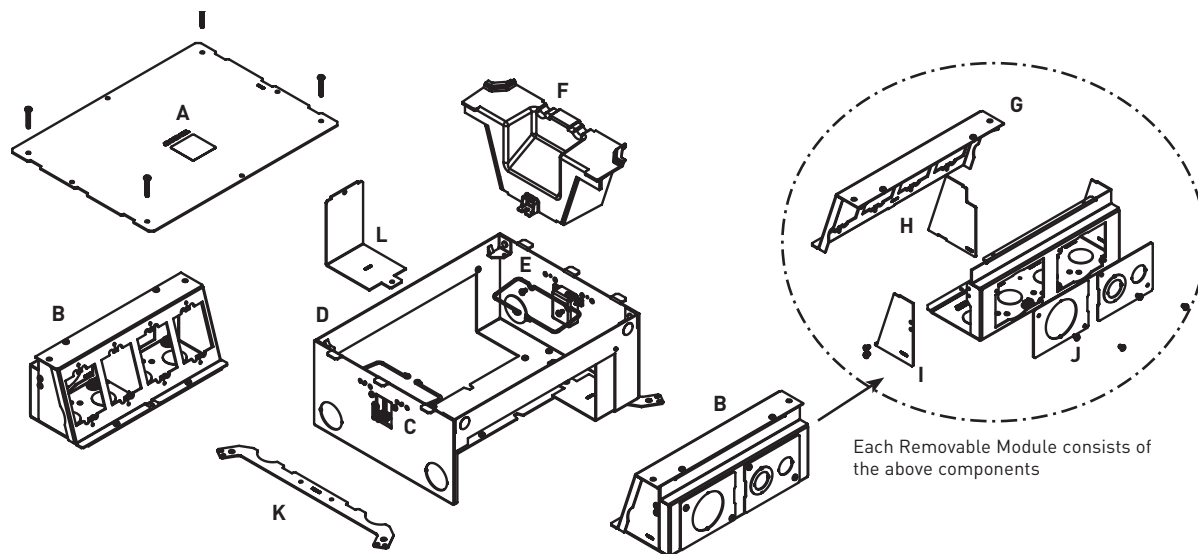
Wiremold® Evolution™ Series Floor Boxes are the latest advancement in the most complete and innovative line of floor solutions in the industry.



CODE REFERENCE

cULus Listed
Metallic Outlet Boxes:
 File E2961 Guide QCIT.
 Meets Article 314.27(C) of NEC.

Evolution™ Series Floor Box Components



Each Removable Module consists of the above components

KEY

- | | |
|---|---------------------------------------|
| A. Mud Cap (temporary construction cover) | G. Mounting Bracket |
| B. Removable Module | H. Divider (removable repositionable) |
| C. Toggle Clamp | I. End Cap |
| D. Box | J. Back Knockout Plate |
| E. Cable Guide | K. Concrete Level Leg |
| F. Tunnel | L. "L" Bracket |

All items shown above are included with Evolution Series floor boxes.

COLOR OPTIONS



Evolution Series Floor Box Covers are available in the following powder coated finishes: "BK" black, "GY" gray, "NK" nickel, "BS" brass, and "BZ" bronze.

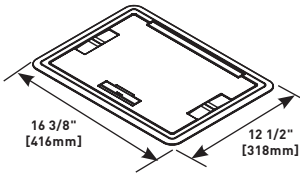
Custom color options are also available. Consult the factory for more information.

EVOLUTION™ SERIES FLOOR BOXES

Evolution™ Series Floor Box Cover Plates & Accessories Ordering Information (continued)

EFB610BTC

Surface Style Cover with Solid Lid

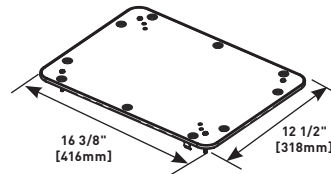


EFB610BTCBK, EFB610BTCGY, EFB610BTCBS, EFB610BTCNK, EFB610BTCBZ

Die cast aluminum cover assembly designed to be used on top of the floor covering. Available in the following powder coated finishes: black, gray, brass, nickel and bronze. For use on Evolution™ Series 6-, 8- and 10-gang floor boxes (EFB6, EFB8 and EFB10).

EFB610CTR

Bare Concrete/Terrazzo Trim Ring

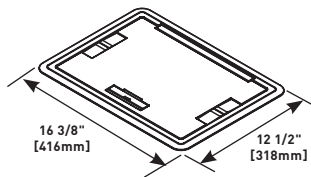


Nonmetallic ring for use with bare concrete and terrazzo floor applications.

NOTE: Ring must be attached to the floor box before pouring concrete or terrazzo.

EFB610BT

Flush Style Cover with Solid Lid

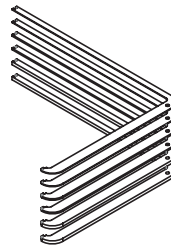


EFB610BTBK, EFB610BTGY, EFB610BTBS, EFB610BTNK, EFB610BTBZ

Die cast aluminum cover assembly designed to be used on top of floor covering. Available in the following powder coated finishes: black, gray, brass, nickel and bronze. For use on Evolution™ Series 6-, 8- and 10-gang floor boxes (EFB6, EFB8 and EFB10).

EFB610-TS

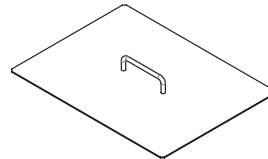
Tile Shim



Used for floor coverings greater than 3/16" [4.7mm]. The EFB610-TS allows the finished cover assembly to be flush with the finished floor. Includes one (1) 1/16" [1.6mm], one (1) 1/8" [3.2mm] and one 1/4" [6.4mm] tile shims for 9/16" [14.3mm] of upward adjustment.

EFB-Template

Floor Box Template



Designed to help mark out floor to insure a proper fit.

Load Capacities for Evolution™ Series Floor Box Cover Assemblies

CATALOG NUMBERS	MAXIMUM LOAD IN POUNDS
EFB610BTC Series	1800
EFB610CTC Series	1800
EFB610BT Series	1800
EFB610CT Series	1800

NOTE: Load applied through a 3" [76mm] mandrel in center of the cover. Loads above are static loads only and do not pertain to rolling loads.



Evolution Series Floor Box Covers are available in powder coated finishes of [L to R] gray, nickel, bronze, brass and black.