

2400 SERIES™ RACEWAY



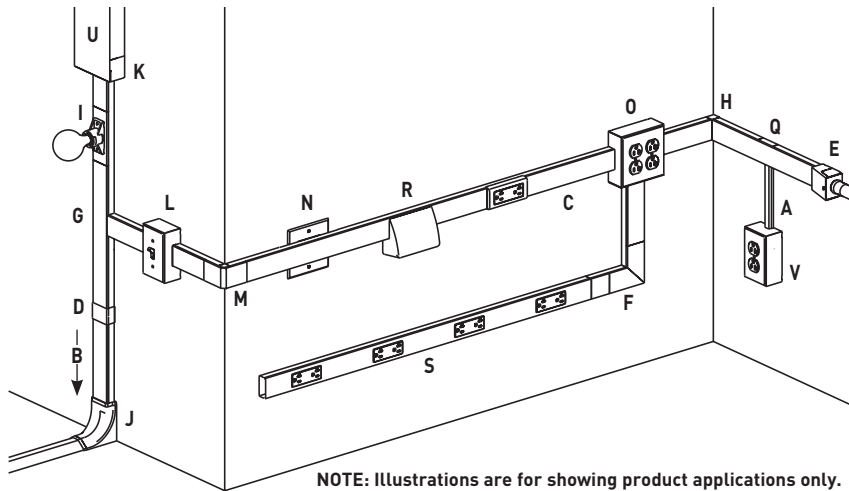
Single Channel Raceway . Easy-to-install and ideal for basic power or communication/low voltage installations in classrooms, hotels, and anywhere a low profile raceway solution is needed.

CODE REFERENCE

cULus Listed Raceway:
File E4376 Guide RJBT.

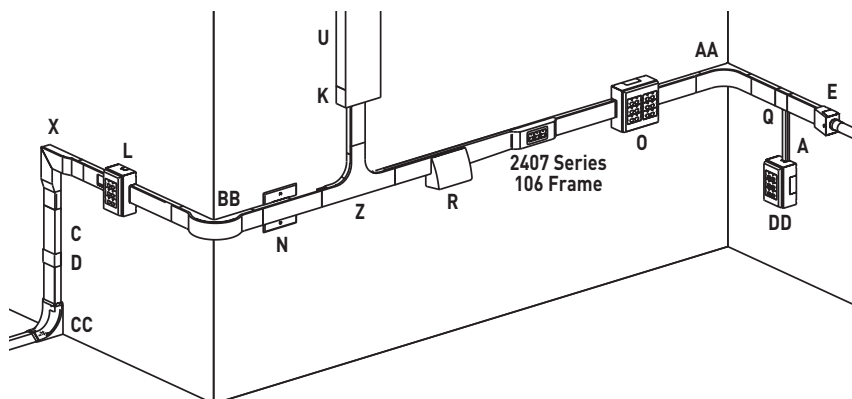
Fittings:
File E41751 Guide RJPR.
Meets Article 386 of NEC.
Meets Section 12-1600 of CEC.

2400 Series Raceway System Layout for Power



NOTE: Illustrations are for showing product applications only.

2400 Series Raceway System Layout for Communications



KEY

- A. 500 Series Raceway
- B. 1500/2600 Raceway Feed
- C. 2400 Series Raceway
- D. 2406 Cover Clip
- E. 2410C Entrance End Fitting
- F. 2411M Flat Elbow Fitting
- G. 2415M Tee Fitting
- H. 2417M Internal Elbow Fitting
- I. 2426 Lamp Holder
- J. 2686FO Transition Fitting
- K. 4089 Reducing Connector
- L. 2448 One-Gang Device Box
- M. 2418M External Elbow Fitting
- N. 2451H Back Feed Fitting
- O. 2448-2 Two-Gang Device Box
- P. 2475D Bridge Fitting
- Q. 2489 Reducing Adapter
- R. 24DWND Downward Duplex Device Bracket
24DWNR Downward Decorator Device Bracket
- S. 24S7218GBX99IV 2400 Series Plugmold Strip
- U. U4000 Series Raceway
- V. 5747 Shallow Switch Box
- W. 2400BC 2400 Series Raceway
- X. 2411FO Radiused Flat Elbow
- Y. 2415H Back Feed Fitting
- Z. 2415FO Radiused Tee Fitting
- AA. 2417FO Radiused Internal Elbow
- BB. 2418FO Radiused External Elbow
- CC. 2686FO Transition Feed Fitting
- DD. 5744 Extra Deep Device Box

COLOR OPTIONS



2400 Series™ Raceway Part Numbers with a "V" prefix have an ivory finish. Part Numbers with a "-FW" suffix have a fog white finish.

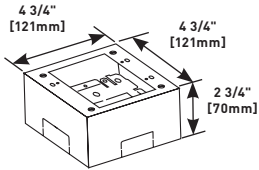
Custom color options are also available. Consult the factory for more information.

2400 SERIES™ RACEWAY

2400 Series Raceway Fittings Ordering Information (continued)

V2444-2, 2444-2FW

Extra Deep Device Box

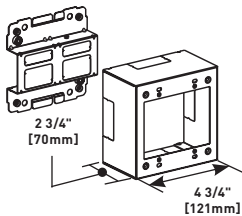


Two-gang device box with extra depth to allow installation of cabling that requires greater bend radius and storage. Cover has twistout on all four sides for 2400 Series Raceway. Base has knockout to enable extension from

existing single-gang flush wall box and 1/2" and 1" concentric trade size KOs. Accepts industry standard faceplates for electrical and communication devices.

V2444-2LS, 2444-2LSFW

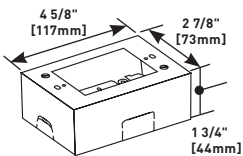
Device Box



Two-gang labor saving, over-the-raceway device box. Cover has twistout on all four side for 2400 Series Raceway. Accepts industry standard faceplates for electrical and communication devices.

V2448, 2448-FW

Device Box

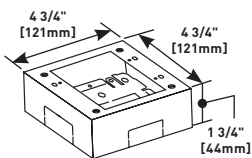


One-gang device box. Cover has twistout for 2400 Series Raceway on each side and one twistout for 500 and 700 Series Raceway on the top and bottom. Base has knockout to enable extension from existing single-gang, flush wall

box and 1/2" trade size KOs. Accepts industry standard faceplates for electrical and communication devices.

V2448-2, 2448-2FW

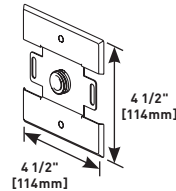
Device Box



Two-gang device box. Cover has twistouts on all four sides for 2400 Series Raceway. Base has knockout to enable extension from existing single-gang, flush wall box and 1/2" trade size KOs. Accepts industry standard faceplates for electrical and communication devices.

V2451H, 2451H-FW

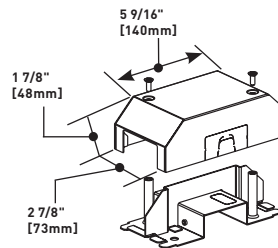
Back Feed Fitting



Feeds 2400 Series Raceway from an existing outlet box. Includes 1/2" trade size male bushing and lock nut washer for grounding.

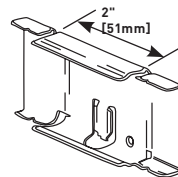
V2475D, 2475D-FW

Bridge Fitting



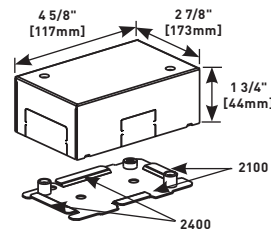
Allows 2400 Series Raceway runs to bridge over existing installations of 2400, 500, and 700 Series Raceways.

V2489 Side Reducing Connector



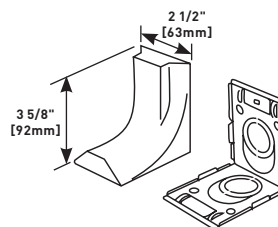
Connects 2400 Series Raceway with 500 Series Raceway.

V2489TB Transition Box



Connects existing installations of 2100 Series Raceway to 2400 Series Raceway.

2686FO Transition Feed Fitting



Eliminates need to offset 2400 Series Raceway when connecting with surface panel boxes. Has 3/4" and 1" concentric trade size KOs with 1" trade size KO elongated so adjustment from surface to center of bushing is 1" [25mm] minimum to 1 5/8" [41mm] maximum. Has twistouts for transition to 1500 and 2600 Series Pancake Raceways.

NOTE: Parts identified with this symbol are Certified to Canadian Safety Standards for sale in Canada. When ordering these products, add "C" to the color prefix to denote the Canadian versions, i.e. "CV2444".