

# 2400 SERIES™ RACEWAY



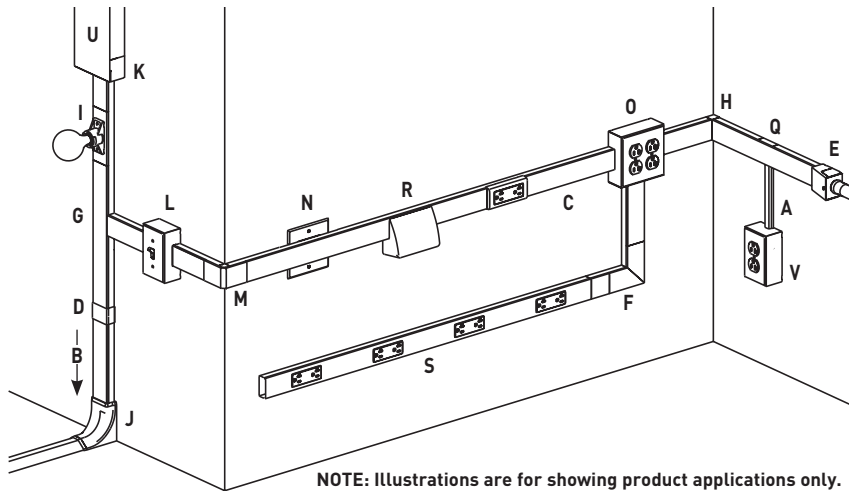
Single Channel Raceway . Easy-to-install and ideal for basic power or communication/low voltage installations in classrooms, hotels, and anywhere a low profile raceway solution is needed.

## CODE REFERENCE

**cULus Listed Raceway:**  
File E4376 Guide RJBT.

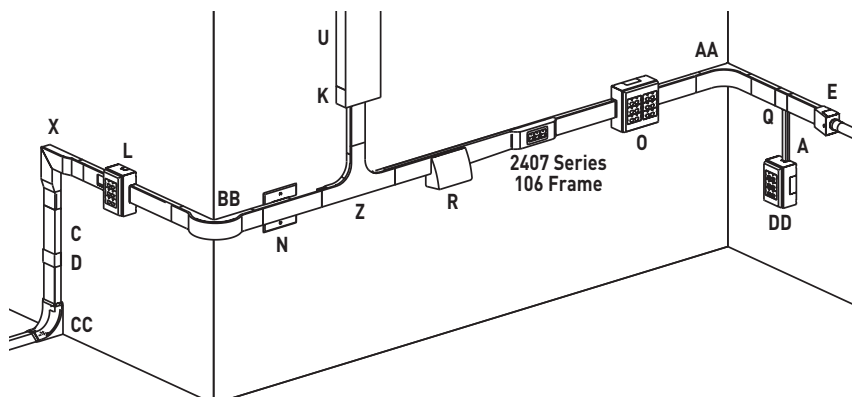
**Fittings:**  
File E41751 Guide RJPR.  
Meets Article 386 of NEC.  
Meets Section 12-1600 of CEC.

## 2400 Series Raceway System Layout for Power



NOTE: Illustrations are for showing product applications only.

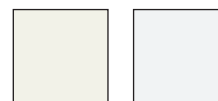
## 2400 Series Raceway System Layout for Communications



## KEY

- A. 500 Series Raceway
- B. 1500/2600 Raceway Feed
- C. 2400 Series Raceway
- D. 2406 Cover Clip
- E. 2410C Entrance End Fitting
- F. 2411M Flat Elbow Fitting
- G. 2415M Tee Fitting
- H. 2417M Internal Elbow Fitting
- I. 2426 Lamp Holder
- J. 2686FO Transition Fitting
- K. 4089 Reducing Connector
- L. 2448 One-Gang Device Box
- M. 2418M External Elbow Fitting
- N. 2451H Back Feed Fitting
- O. 2448-2 Two-Gang Device Box
- P. 2475D Bridge Fitting
- Q. 2489 Reducing Adapter
- R. 24DWND Downward Duplex Device Bracket  
24DWNR Downward Decorator Device Bracket
- S. 24S7218GBX99IV 2400 Series Plugmold Strip
- U. U4000 Series Raceway
- V. 5747 Shallow Switch Box
- W. 2400BC 2400 Series Raceway
- X. 2411FO Radiused Flat Elbow
- Y. 2415H Back Feed Fitting
- Z. 2415FO Radiused Tee Fitting
- AA. 2417FO Radiused Internal Elbow
- BB. 2418FO Radiused External Elbow
- CC. 2686FO Transition Feed Fitting
- DD. 5744 Extra Deep Device Box

## COLOR OPTIONS



2400 Series™ Raceway Part Numbers with a "V" prefix have an ivory finish. Part Numbers with a "-FW" suffix have a fog white finish.

Custom color options are also available. Consult the factory for more information.



Wiremold

# Plugmold® 24R Series™ Multioutlet Systems

## New Plugmold 24R Series Tamper-Resistant – Safety for Residential Applications

Wiremold Plugmold® 24R Series™ Tamper-Resistant offers industry leading levels of both safety and convenience. Designed to meet the new 2008 NEC requirement 406.11 for tamper-resistant receptacles in dwelling units, Plugmold 24R Series includes a patented internal receptacle shutter system that provides a clean and solid fit for standard three-pronged plugs and prevents the insertion of unwanted objects.

Plugmold 24R Series Tamper Resistant will meet the demand for dwelling units that require more power and more receptacles. Each power strip has a durable white baked enamel finish, is available in multiple lengths, and includes up to five tamper-resistant receptacles. Plugmold 24R Series is a useful addition for workshops, garages or kitchens and the ideal choice for homes with small children.



24R Series Plugmold installed in a residential kitchen.

### FEATURES & BENEFITS

- **Meets new Tamper Resistant requirements for 2008 NEC section 406.11.** Provides additional protection from burns and other injuries. Mandated for residential applications.
- **Built-in shutter system.** Prevents the insertion of unwanted objects such as hairpins, keys and nails. Providing additional protection for occupants including small children.
- **Available in 3' & 5' [914mm & 1.5m] lengths with 12" [305mm] receptacle spacing.** Provides additional power access in smaller, more confined areas. Multiple lengths present more mounting options.
- **15A Duplex Decorator Receptacle.** Functional and aesthetically pleasing, matches any décor.
- **Steel construction.** Superior strength for residential applications. Providing years of protection and convenience.
- **Designed for surface mounting.** Easier and more convenient installation. Eliminates the need to break through walls.
- **Attractive white or black baked-enamel finish.** Scratch-resistant coating for durability and aesthetics.
- **Multiple power feed options.** Provide clean, attractive installations with concealed power sources.
- **UL US Listed.**



The patented internal shutter mechanism of receptacles for the Plugmold 24R Series provides a clean and solid fit for standard three-pronged plugs, but prevents the insertion of keys, knives and other unwanted objects.

## Plugmold 24R Series Product Information

Catalog No./Item	Description/Specifications
<p><b>24R312TRS15WH</b>  <b>24R512TRS15WH</b>  <b>24R312TRS15BK</b>  <b>24R512TRS15BK</b></p> <p style="text-align: center;">Plugmold 24R Series Cross Section</p> <p style="text-align: center;">24R312TRS15WH Shown</p>	<p><b>Tamper-Resistant Plugmold –</b>                      Available in 3' [914mm] (24R312TRS15) and 5' [1.5m] (24R512TRS15) lengths with 12" [305mm] receptacle spacing. 15A rectangular tamper-resistant receptacles. 3-wire, #12 THHN (1 hot, 1 neutral, and insulated ground conductor). .040" [1.0mm] steel housing with durable white baked enamel finish. Packed 2 per carton. Each unit supplied with one (1) 2401 Coupling and two (2) 2410B Blank End Fittings.</p>
<p><b>2401</b></p>	<p><b>2401 Coupling –</b> Joins lengths of Plugmold 24R Series together.</p>
<p><b>2409</b></p>	<p><b>2409 Ground Clamp –</b> Connects equipment grounding conductor to Plugmold 24R Series. No. 10 ground screw provided.</p>
<p><b>2410B-WH</b>  <b>2410B-BK</b></p>	<p><b>2410B Blank End Fitting –</b> Closes off open end of sections of Plugmold 24R Series.</p>
<p><b>2410C-WH</b>  <b>2410C-BK</b></p>	<p><b>2410C Entrance End Fitting –</b> Feeds Plugmold 24R Series. Includes 1/2" and 3/4" trade size KOs on end and bottom. Additional 1/2" trade size KO on both sides.</p>
<p><b>2448-WH</b>  <b>2448-BK</b></p>	<p><b>2448 Device Box –</b> One-gang device box. Cover has one twistout for Plugmold 24R Series on two sides and one twistout for 500® and 700® Series Raceway on the top and bottom. Base includes knockout to enable extension from existing single-gang flush wall box and 1/2" trade size KOs. Accepts industry standard faceplates for electrical and communication devices.</p>
<p><b>2451H-WH</b>  <b>2451H-BK</b></p>	<p><b>2451H Back Feed Fitting –</b> Feeds Plugmold 24R Series from an existing outlet box. Equipped with 1/2" trade size male bushing and lock nut washer for grounding.</p>



Wiremold

**WIREMOLD**

**U.S. and International:**

60 Woodlawn Street • West Hartford, CT 06110  
 1-800-621-0049 • FAX 860-232-2062 • Outside U.S. 860-233-6251

**Canada:**

570 Applewood Crescent • Vaughan, Ontario L4K 4B4  
 1-800-723-5175 • FAX 905-738-9721

**ED1557R1 – Updated September 2009 – For latest specs visit [www.wiremold.com](http://www.wiremold.com)**

