

2400D[®] SERIES RACEWAY



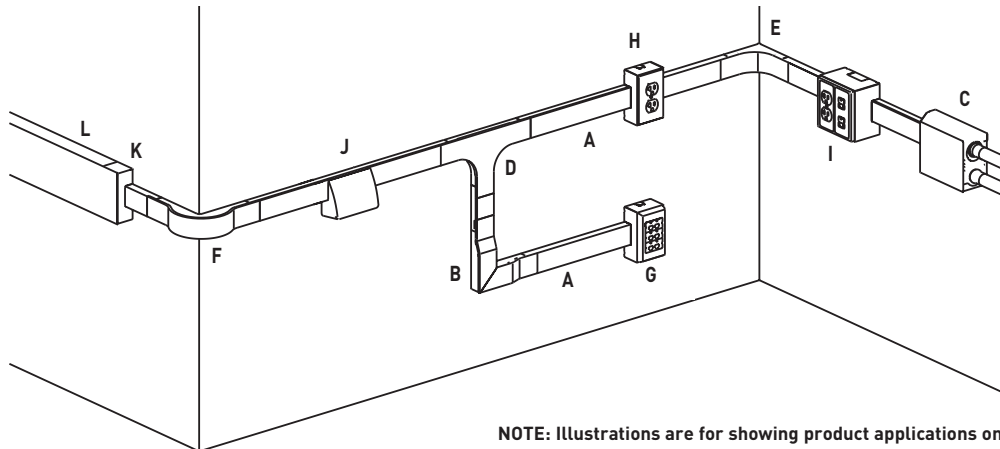
Dual channel version of 2400 Series Raceway. Easy-to-install and ideal for basic power and communication/low voltage installations in classrooms, hotels, and anywhere a low profile raceway solution is needed.

CODE REFERENCE

cULus Listed Raceway:
File E4376 Guide RJBT.

Fittings:
File E41751 Guide RJPR.
Meets Article 386 of NEC.
Meets Section 12-1600 of CEC.

2400D Series Raceway System Layout for Power & Data



NOTE: Illustrations are for showing product applications only.

KEY

- | | |
|--------------------------------------------|------------------------------------------|
| A. 2400D 2400 Series Divided Raceway | H. 2444D One-Gang Device Box |
| B. 2411DFO Radiused Divided Flat Elbow | I. 2444D-2A Two-Gang Divided Device Box |
| C. 2410DFO Divided Entrance End Fitting | J. 24DWND Downward Duplex Device Bracket |
| D. 2415DFO Radiused Divided Tee | 24DWNR Downward Decorator Device Bracket |
| E. 2417DFO Radiused Divided Internal Elbow | K. 4089 Reducing Connector |
| F. 2418DFO Divided External Elbow | L. U4000 Series Raceway |
| G. 2444 One-Gang Extra Deep Device Box | |

COLOR OPTIONS



2400 Series™ Raceway Part Numbers with a "V" prefix have an ivory finish. Part Numbers with a "-FW" suffix have a fog white finish.

Custom color options are also available. Consult the factory for more information.

2400D SERIES™ RACEWAY

2400D Series Raceway Wire Fill Capacities for Communications

	CABLE/ WIRE SIZE	O.D. (APPROX. DIA.)		1/3 COMP 40% FILL	2/3 COMP 40% FILL
		Inches	[mm]		
UNSHIELDED TWISTED PAIR	4-pair, 24 AWG, Cat 3	0.190	[4.8]	5	12
	4-pair, 24 AWG, Cat 5e	0.210	[5.3]	4	9
	4-pair, 24 AWG, Cat 6	0.250	[6.3]	3	7
	4-pair, 24 AWG, Cat 6a*	0.354	[9.0]	1	3
	25-pair, 24 AWG	0.410	[10.4]	1	2
COAXIAL	RG6/U	0.270	[6.9]	2	6
Fiber	ZipCord	0.118 x 0.236	[3 x 6]	5	12
	Round 4 Strand Fiber	0.187	[4.8]	5	12
	Round 6 Strand Fiber	0.256	[6.5]	2	6

2400D Series Raceway Wire Fill Capacities for Power

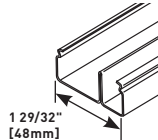
WIRE SIZE	O.D.		NUMBER OF CONDUCTORS (40%)	
	Inches	[mm]	1/3 COMP	2/3 COMP
THHN/THWN				
14 AWG	0.111	[2.8]	11	26
12 AWG	0.130	[3.3]	9	19
10 AWG	0.164	[4.2]	6	11

NOTE: For additional information, refer to the Technical Section.

* Category 6 augmented (6a) cable for 10 gigabit ethernet – max allowed cable diameter per addenda No. 11 ANSI TIA/EIA 568-B.2.

2400D Series Raceway Ordering Information

V2400BD, 2400BD-FW Divided Raceway Base

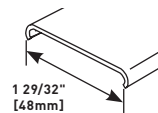


.040" [1.0mm] steel. Divided into two compartments (1/3 and 2/3 capacity). Packed ten 10' [3.0m] lengths per carton.

624BCK Replacement Blade Kit

Case hard steel replacement blades and die set for 624 Cutter.

V2400C, 2400C-FW Raceway Cover



.040" [1.0mm] steel. Packed twenty 5' [1.5m] lengths per carton.

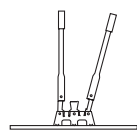
IWE-S, DVWE-S Spray Paint



Used for touching up large areas. Contains 12 oz. of paint. Available in ivory (IWE-S) and fog white (DVWE-S).

NOTE: Can only be shipped via ground transportation

624 2400 Series Raceway Base & Cover Cutter



Portable cutter for 2400 & 2400D Series Raceway Base and Cover. Provides a clean and easy, square cut every time.

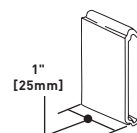
IWE-P, DVWE-P Touch-Up Paint Pen



Used for touching up small areas. Contains 0.3 oz. of paint. Available in ivory (IWE-P) and fog white (DVWE-P).

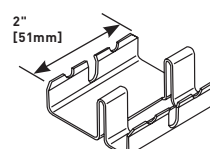
2400D Series Raceway Fittings Ordering Information

2400WC Wire Clip



Additional support for conductors (nonmetallic).

2401D Divided Coupling



Joins lengths of 2400BD Divided Base.