

VISTA POINT5™ ARCHITECTURAL COLUMNS

Vista Point5 Architectural Columns Add-On Plates for Small Frame Vista Series Ordering Information

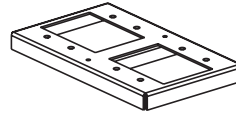
VS1A Device Cover



Right Shown

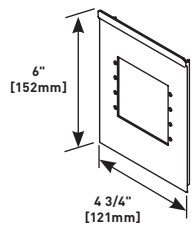
Has one cutout for duplex receptacle and two adapters for Wiremold CM Series Open Systems communication modules, and Ortronics® Series II or TracJack devices.

VB880 Adapter Plate



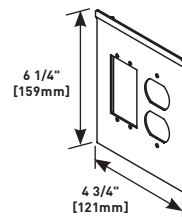
Adapts Vista Point5 to 880 Series Floor Boxes.

VSEA** AV Device Cover



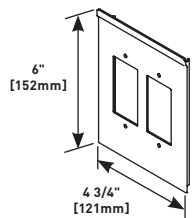
Has openings for four (4) Extron® Electronics AAP modules. Standard color/material is anodized aluminum or black.

VSEAP5 AV Device Cover



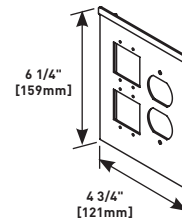
Has one (1) duplex receptacle cutout and openings for two (2) Extron® Electronics AAP modules. Standard color/material is anodized aluminum or black.

VSCR** AV Device Cover



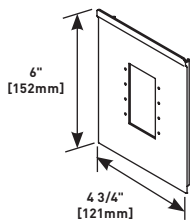
Has openings for one (1) two-gang or two (2) single-gang Crestron® Quick Media wall plate(s). Standard color/material is anodized aluminum or black.

VSEMP5 AV Device Cover



Has one (1) duplex receptacle cutout and openings for four (4) Legrand AVIP or Extron® Electronics MAAP modules. Standard color/material is anodized aluminum or black.

VSEM** AV Device Cover



Has openings for four (4) Legrand AVIP or Extron® Electronics MAAP modules. Standard color/material is anodized aluminum or black.

*Refer to the list of colors in the chart on the previous page for the four-digit code number.

**Products are ETL Listed.

NOTE: If selecting VSEA, VSCR or VSEM Device Covers, such covers will allow for only A/V connectivity. No power outlets are accessible or available with these covers.

TELE-POWER® POLES



Tele-Power® Poles provides a cost-effective, configurable solution for distributing power and communication services to open spaces.



CODE REFERENCE

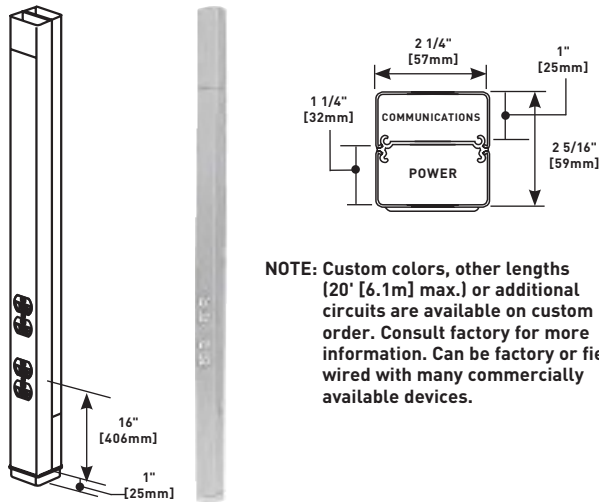
cULus Listed Multioutlet Assemblies:
File E15191, E178348 Guide PVGT

Raceway Fittings: File E41751 Guide RJPR

Accessories: File E53857 Guide RVUR

Meets Article 380 & 386 of NEC.

Steel Tele-Power Poles Ordering Information



NOTE: Custom colors, other lengths (20' [6.1m] max.) or additional circuits are available on custom order. Consult factory for more information. Can be factory or field wired with many commercially available devices.



Tele-Power Poles provide a wide range of options for distributing services from overhead systems to open space office, commercial, and retail areas.

COLOR OPTIONS



25DTP/DTC Series Tele-Power Poles are now available in two colors: ivory and designer gray. Custom color options are also available. Consult the factory for more information.

TELE-POWER® POLES

Steel Tele-Power Poles

25DTP Series Tele-Power Poles Wire Fill Capacities

CATALOG NUMBER	NO. & TYPE OF POWER OUTLETS	POLE HEIGHT		FINISH	WIRE SIZE THHN/THWN		CAT 5		CAT 6		RG58/U		RG62A/U		RG62/U	
		Inches	mm		#10	#12	0.22" [5.6mm] 20%*	0.25" [6.3mm] 20%*	0.195" [5.0mm] 20%*	0.242" [6.1mm] 20%*	0.270 [6.9mm] 20%*					
25DTP-4	Two Duplex Receptacles (20A, 125V)	10' 5"	[3.175m]	Ivory/Gray	10	15	10	19	9	17	13	25	8	16	7	13
25DTP-412		12' 5"	[3.780m]	Ivory/Gray	10	15	10	19	9	17	13	25	8	16	7	13
25DTP-415		15' 5"	[4.700m]	Ivory/Gray	10	15	10	19	9	17	13	25	8	16	7	13
25DTP-E10		10' 5"	[3.175m]	Ivory/Gray	10	15	10	19	9	17	13	25	8	16	7	13
25DTP-4 D		10' 5"	[3.175m]	Ivory/Gray	10	15	10	19	9	17	13	25	8	16	7	13
	Two Duplex Receptacles (20A, 125V), One Dedicated/ Isolated & One Standard Branch Circuit															
25DTP-4ACT		10' 5"	[3.175m]	Ivory/Gray	10	15	10	19	9	17	13	25	8	16	7	13
	Two Duplex Receptacles (20A, 125V), One Communications Insert Mounting Adapter, One Dual Cat 5e Insert, Two Blank Inserts & Labeling Supplies															

*20% cable fill is calculated to approximate reduction in cable capacity due to connectors mounted within pole section that may restrict cross-sectional areas.
 **40% cable fill is the maximum designed cable fill based on a proposed revision to TIA/EIA 569-A.

25DTP Series Tele-Power Poles Ordering Information

25DTP-4, 25DTP-4-DG Tele-Power Pole

25DTP-412, 25DTP-412-DG, 25DTP-415, 25DTP 415-DG
 Two-compartment pole (power and communications). Nominal material thickness .030" [0.8mm]. Ivory or gray boot base. Factory wired with fed-spec general grade 20A 125V duplex style receptacles. An 8" [203mm] cover at top front of pole is removable for making power wiring connections. KOs provided in removable cover for RJ11/RJ45 and modular furniture communication connectors. Mounting hardware, entrance end plate and two ceiling trim plates furnished. Available in standard lengths of 10' 5" [3.2m] (25DTP-4), 12' 5" [3.8m] (25DTP-412), and 15' 5" [4.7m] (25DTP-415). Also increase the length of any 25 Series pole with the 25DTC-E5 Tele-Power Pole Extender.

25DTP-4ACT, 25DTP-4ACT-DG Tele-Power Pole

Identical to 25DTP-4 except with one communications insert mounting adapter, one dual Cat 5e insert, two blank inserts and labels.

25DTP-4D, 25DTP-4D-DG Tele-Power Pole

Identical to 25DTP-4 except has one 20A 125V dedicated/ isolated ground duplex receptacle and one 20A 125V standard duplex receptacle.

25DTP-E10, 25DTP-E10-DG Tele-Power Pole

Two sections of a two-compartment (power and communication) pole (5' 4" [1.626m] base + 5' [1.524m] extender) assembles to form a 10' 4" [3.148m] pole. Nominal material thickness .040" [1.0mm]. Ivory or gray boot base. Factory wired with fed-spec general grade 20A 125V duplex style receptacles. An 8" [203mm] cover at top front (power side) of pole is removable for making power wiring connections. KOs provided in removable cover for RJ11/RJ45 and modular furniture communication connectors. Mounting hardware, entrance end plate and two ceiling trim plates furnished.

25DTP-4-C, 25DTP-4-DG-C Tele-Power Pole (Canada Only)



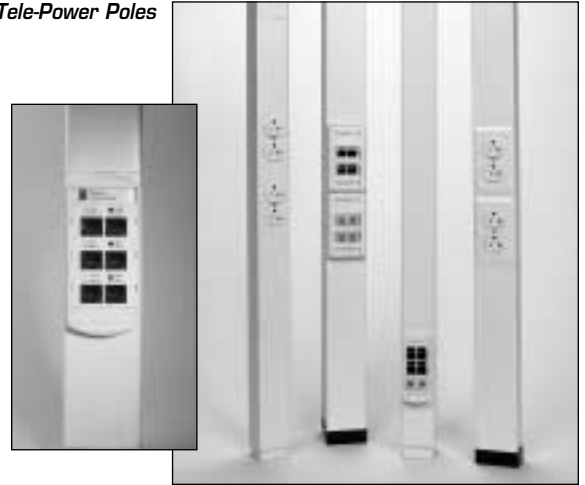
25DTP-412-C, 25DTP-412-DG-C, 25DTP-415-C, 25DTP-415-DG-C

Two-compartment pole (power and communications). Nominal material thickness .030" [0.8mm]. Ivory or gray boot base. Factory wired with fed-spec general grade 15A 125V duplex style receptacles. An 8" [203mm] cover at top front of pole is removable for making power wiring connections. KOs provided in removable cover for RJ11/RJ45 and modular furniture communication connectors. Mounting hardware, entrance end plate and two ceiling trim plates furnished. Available in standard lengths of 10' 5" [3.2m] (25DTP-4), 12' 5" [3.8m] (25DTP-412), and 15' 5" [4.7m] (25DTP-415). Comes with a 10' [3.0m] cord. Also increase the length of any 25 Series pole with the 25DTC-E5 Tele-Power Pole Extender.

Steel Tele-Power Poles

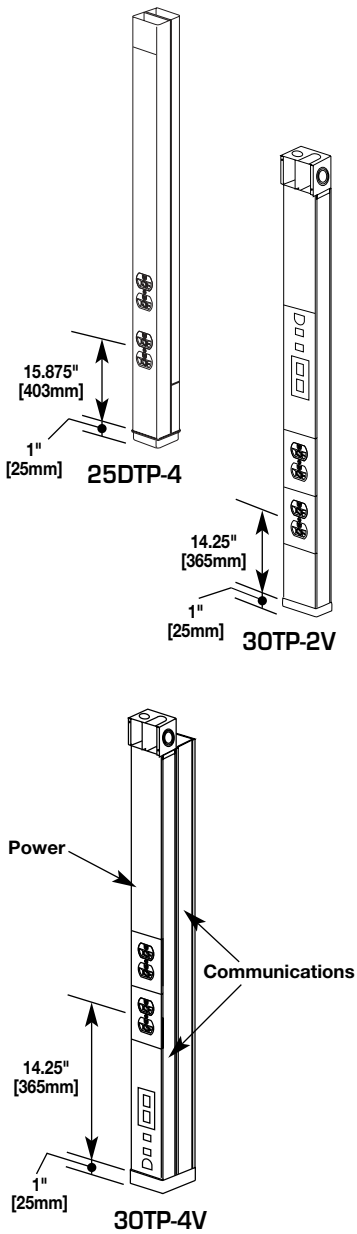
- Standard of the industry; combines good looks, economy, and easy installation with sufficient capacity for expansion.
- Ivory enamel finish with matching 20A, 120V NEMA heavy duty duplex receptacles.
- Dedicated circuit pole features separate isolated ground circuit protection.
- Dual channel poles for communication cabling and power wiring accessibility.
- Modular jack knockouts and modular furniture outlets permit direct connections or use "mouse hole" grommet for direct cable feed.

Steel Tele-Power Poles



25DTP-4ACT pole with additional inserts.

Receptacle Heights



Ordering Guide

CATALOG NO.	OUTLETS	HEIGHT	FINISH	CAPACITY			
				THHN/THWN #10	THHN/THWN #12	UTP 4-PR	UTP 25-PR
25DTP-4 25DTP-412 25DTP-415	Two Duplex Receptacles (20A, 125V)	10' 5" [3.175m] 12' 5" [3.780m] 15' 5" [4.700m]					
25DTP-4ACT	Two Duplex Receptacles (20A, 125V) One Communications Insert Mounting Bezel, One Dual Cat 5e Insert, Two Blank Inserts and Labeling Supplies	10' 5" [3.175m]	Ivory	10	15	15	6
25DTP-4D	Two Duplex Receptacles (20A, 125V) One Dedicated/ Isolated and One Standard Branch Circuit	10' 5" [3.175m]	Ivory	10	15	15	6
30TP-2V 30TP-212V	Two Duplex Receptacles (20A, 125V)	10' 5" [3.175m] 12' 5" [3.780m]	Ivory	9	14	22	8
30TP-4V 30TP-412V		10' 5" [3.175m] 12' 5" [3.780m]					
25AM10FO		2" [51mm] radius control entrance fitting for 25DT and AMDT Series					

Cross-Sectional Areas

