

TELE-POWER® POLES



Tele-Power® Poles provides a cost-effective, configurable solution for distributing power and communication services to open spaces.



CODE REFERENCE

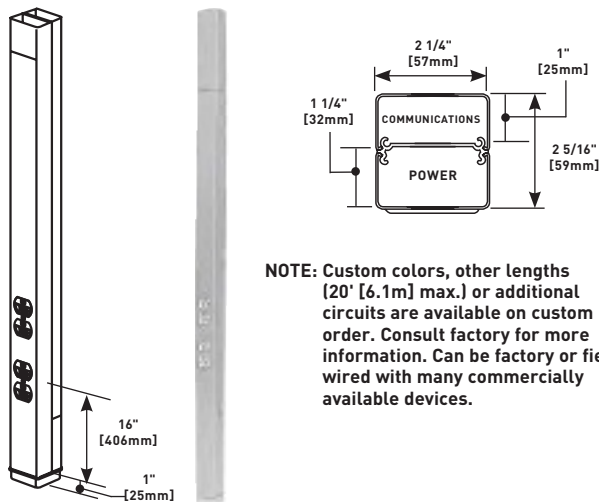
cULus Listed Multioutlet Assemblies:
File E15191, E178348 Guide PVGT

Raceway Fittings: File E41751 Guide RJPR

Accessories: File E53857 Guide RVUR

Meets Article 380 & 386 of NEC.

Steel Tele-Power Poles Ordering Information



NOTE: Custom colors, other lengths (20' [6.1m] max.) or additional circuits are available on custom order. Consult factory for more information. Can be factory or field wired with many commercially available devices.



Tele-Power Poles provide a wide range of options for distributing services from overhead systems to open space office, commercial, and retail areas.

COLOR OPTIONS



25DTP/DTC Series Tele-Power Poles are now available in two colors: ivory and designer gray. Custom color options are also available. Consult the factory for more information.

TELE-POWER® POLES

Aluminum Tele-Power Poles

Aluminum Tele-Power Poles Wire Fill Capacities

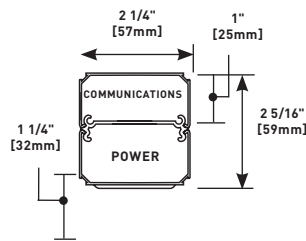
CATALOG NUMBER	NO. & TYPE OF POWER OUTLETS	POLE HEIGHT		FINISH	WIRE SIZE THHN/THWN		CAT 5		CAT 6		RG58/U		RG62A/U		RG62/U	
		Inches	mm		#10	#12	0.22" [5.6mm] 20%*	0.25" [6.3mm] 40%**	0.195" [5.0mm] 20%*	0.242" [6.1mm] 40%**	0.270 [6.9mm] 20%*	0.270 [6.9mm] 40%**				
AMDTP-4	Two Duplex Receptacles (20A, 125V)	10' 5"	[3.175m]	Satin Anodized Aluminum	10	15	10	19	8	16	13	25	8	16	7	13
AMDTP-412		12' 5"	[3.780m]		10	15	10	19	8	16	13	25	8	16	7	13
AMDTP-415		15' 5"	[4.700m]		10	15	10	19	8	16	13	25	8	16	7	13
AMDTP-4D	Two Duplex Receptacles (20A, 125V), One Dedicated/Isolated & One Standard Branch Circuit	10' 5"	[3.175m]	Satin Anodized Aluminum	10	15	10	19	8	16	13	25	8	16	7	13
ALTP-20W	Four Single Receptacles	10' 4"	[3.150m]	Painted Office White	-	-	2	5	2	4	3	6	2	4	1	3
ALTP-2P	Four Single Receptacles	10' 4"	[3.150m]	Polished Anodized Aluminum	-	-	2	5	2	4	3	6	2	4	1	3
ALTP-2S	Four Single Receptacles	10' 4"	[3.150m]	Polished Anodized Aluminum	-	-	2	5	2	4	3	6	2	4	1	3

* 20% cable fill is calculated to approximate reduction in cable capacity due to connectors mounted within pole section that may restrict cross-sectional areas.
 ** 40% cable fill is the maximum designed cable fill based on a proposed revision to TIA/EIA 569-A.

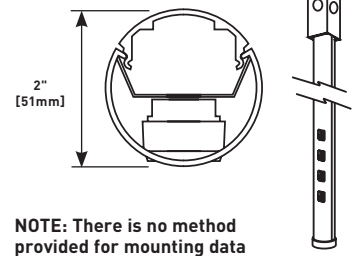
Aluminum Tele-Power Poles

When looking to dress up a vertical solution, Tele-Power Poles with a satin anodized aluminum finish in either rectangular or round styles can provide the answer. Light weight aluminum construction makes these poles easy to install and maneuver on the job site. Available prewired with electrical devices or blank to drop services feeding another wire and cable management system, such as electrified modular furniture. A full range of accessories enables field configurability, or have them delivered to your specifications.

AMDTP-4



ALTP

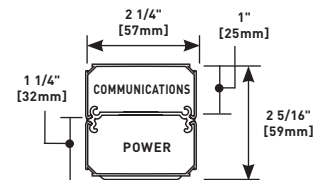


AMDTP-4 Series Tele-Power Poles Ordering Information

AMDTP-4 Tele-Power Pole

AMDTP-4, AMDTP-412, AMDTP-415

Two-compartment pole (power and communications). Nominal material thickness .050" [1.8mm]. Length: 10' 5" [3.2m]. Factory wired with 20A 125V fed-spec general grade duplex style receptacles. An opening for communication and a 1/2" [12.7mm] hole for power is provided at top. The 8" [203mm] cover at top front of pole is removable for making power wiring connections. Communication KOs provided for RJ11/RJ45 and modular furniture connectors. Mounting hardware, entrance end fitting, and ceiling trim plates furnished. Anodized aluminum finish. Available in standard lengths of 10' 5" [3.2m] (AMDTP-4), 12' 5" [3.8m] (AMDTP-412), and 15' 5" [4.7m] (AMDTP-415).



NOTE: Custom colors, other lengths (20' [6.1m] max.) or additional circuits are available on custom order. Consult factory for more information. Can be factory or field wired with many commercially available devices.

TELE-POWER® POLES

Aluminum Tele-Power Poles

AMDTP-4 Series Tele-Power Poles Ordering Information (continued)

AMDTP-4D Tele-Power Pole

Identical to AMDTP-4 except factory wired with one 20A 125V dedicated/ isolated ground duplex receptacle and one standard 20A 125V duplex receptacle.

AMDTP-4-C, AMDTP-412-C, AMDTP-415-C Tele-Power Pole



Available in Canada Only. Two-compartment pole (power and communications). Nominal material thickness .050" [1.8mm]. Length: 10'5" [3.2m]. Factory wired with 15A 125V fed-spec general grade duplex style receptacles. An opening for communication and a 1/2" [12.7mm] hole for power is provided at top. The 8" [203mm] cover at top front of pole is removable for making power wiring connections. Communication KOs provided for RJ11/RJ45 and modular furniture connectors. Mounting hardware, entrance end fitting, and ceiling trim plates furnished. Anodized aluminum finish. Maximum ceiling height 10' [3m]. Comes with a 10' [3.0m] cord. Available in standard lengths of 10'5" [3.2m] (AMDTP-4-C), 12'5" [3.8m] (AMDTP-412-C), and 15'5" [4.7m] (AMDTP-415-C).

ALTP Series Tele-Power Poles Ordering Information

ALTP-2S Tele-Power Pole

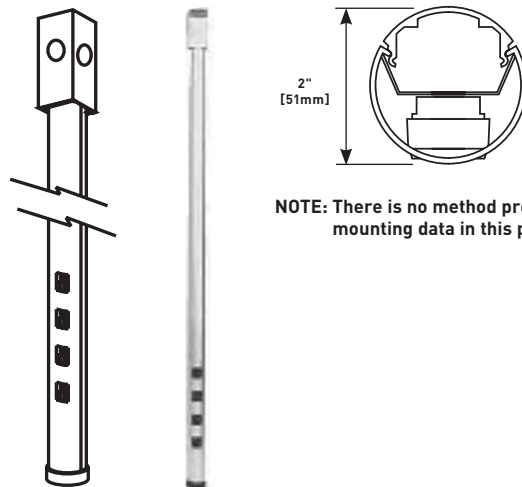
Satin anodized extruded aluminum pole. Nominal wall thickness .060" [1.5mm]. Length 10'5" [3.2m]. Two-compartment (power and communication channels) Factory wired with four 15A 125V NEMA 5-15R devices. Provided with one 1/2" [12.7mm] trade size KO in cover at base for communications. T-bar mounting hardware, ceiling trim kit, and feed box furnished.

ALTP-20W Tele-Power Pole

Identical to ALTP-2S, with painted office white finish.

ALTP-2P Tele-Power Pole

Identical to ALTP-2S, with polished aluminum anodized finish.



NOTE: There is no method provided for mounting data in this pole.

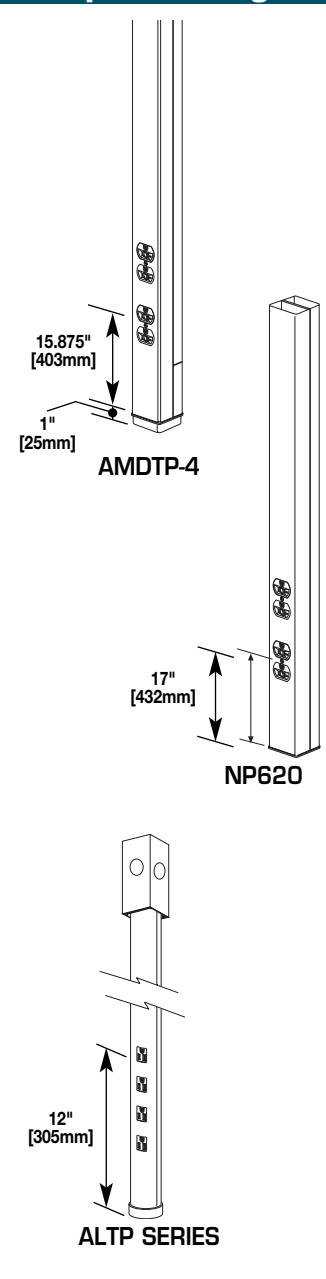
Aluminum Tele-Power Poles

- Satin anodized aluminum poles blend neatly into just about any environment.
- Standard poles accommodate 10-, 12-, and 15-foot ceilings.
- Modified communication compartment offers a dense concentration of knockouts for modular voice/data jacks and furniture outlets, or “mouse hole” grommet for direct cable feed.
- Isolated ground protection offered in dedicated circuit pole.
- Add-on covers for field modification.
- Round aluminum poles are offered in painted, polished, and satin anodized finishes.



Aluminum Tele-Power Poles

Receptacle Heights



Ordering Guide

CATALOG NO.	OUTLETS	HEIGHT	FINISH	CAPACITY			
				THHN / THWN #10	THWN #12	UTP 4-PR	UTP 25-PR
AMDTP-4 AMDTP-412 AMDTP-415	Two Duplex Receptacles (20A, 125V)	10'5" [3.175m] 12'5" [3.780m] 15'5" [4.700m]	Anodized Aluminum	10	15	15	6
AMDTP-4D	Two Duplex Receptacles (20A, 125V) One Dedicated/ Isolated & One Standard Branch Circuit	10'5" [3.175m]	Anodized Aluminum	10	15	15	6
NP620-2-10-2B NP620-2-12-8B NP620-2-15-2B	Two Duplex Receptacles (20A, 125V)	10'2" [3.098m] 12'8" [3.860m] 15'2" [4.620m]	Anodized Aluminum	12	13	30	6
ALTP-2OW	Four Single Receptacles	10'4" [3.150m]	Painted Office White	—	—	5	1
ALTP-2P			Polished Aluminum Anodize	—	—	5	1
ALTP-2S			Satin Anodize	—	—	5	1
25AM10FO	2" [51mm] radius control entrance fitting for 25DT and AMDT Series						

Cross-Sectional Areas

