

TELE-POWER® POLES



Tele-Power® Poles provides a cost-effective, configurable solution for distributing power and communication services to open spaces.



CODE REFERENCE

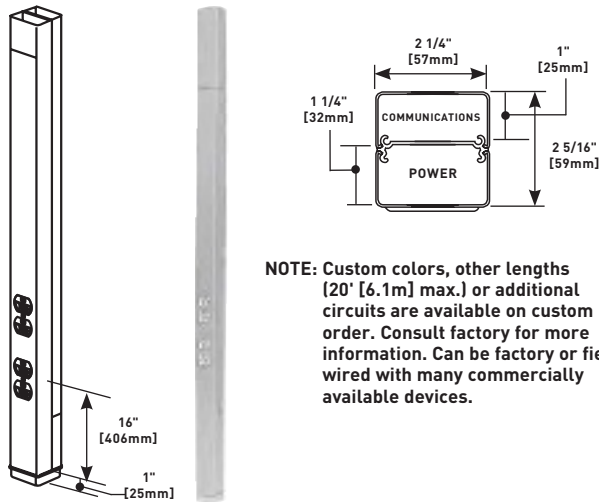
cULus Listed Multioutlet Assemblies:
File E15191, E178348 Guide PVGT

Raceway Fittings: File E41751 Guide RJPR

Accessories: File E53857 Guide RVUR

Meets Article 380 & 386 of NEC.

Steel Tele-Power Poles Ordering Information



NOTE: Custom colors, other lengths (20' [6.1m] max.) or additional circuits are available on custom order. Consult factory for more information. Can be factory or field wired with many commercially available devices.



Tele-Power Poles provide a wide range of options for distributing services from overhead systems to open space office, commercial, and retail areas.

COLOR OPTIONS



25DTP/DTC Series Tele-Power Poles are now available in two colors: ivory and designer gray. Custom color options are also available. Consult the factory for more information.

VERTICAL DROP POLES



Vertical Drop Poles distribute power and communication services from overhead wiring systems to open spaces.

CODE REFERENCE

cULus Listed Multioutlet Assemblies:
File E15191, E178348 Guide PVGT
Raceway Fittings: File E41751 Guide RJPR
Accessories: File E53857 Guide RVUR
Meets Article 380 & 386 of NEC.

Vertical Drop Poles Wire Fill Capacities

| CATALOG NUMBER | POLE HEIGHT | | FINISH | CAT 5 | | CAT 6 | | RG58/U | | RG62A/U | | RG62/U | |
|----------------|-------------|----------|------------|-------------|-------------------|-----------------|-------------------|------------------|-------------------|------------------|-------------------|------------------|-------------------|
| | Inches | mm | | 0.22" COMP. | [5.6mm] LG. COMP. | 0.25" SM. COMP. | [6.3mm] LG. COMP. | 0.195" SM. COMP. | [5.0mm] LG. COMP. | 0.242" SM. COMP. | [6.1mm] LG. COMP. | 0.270" SM. COMP. | [6.9mm] LG. COMP. |
| 25DTC-4 | 10' 5" | [3.175m] | Ivory/Gray | 10 | 19 | 9 | 17 | 13 | 25 | 8 | 16 | 7 | 13 |
| 25DTC-412 | 12' 5" | [3.780m] | Ivory/Gray | 10 | 19 | 9 | 17 | 13 | 25 | 8 | 16 | 7 | 13 |
| 25DTC-415 | 15' 5" | [4.700m] | Ivory/Gray | 10 | 19 | 9 | 17 | 13 | 25 | 8 | 16 | 7 | 13 |
| 25DTC-E10 | 10' 5" | [3.175m] | Ivory/Gray | 10 | 19 | 9 | 17 | 13 | 25 | 8 | 16 | 7 | 13 |
| 30TC-2V | 10' 5" | [3.175m] | Ivory | N/A | 33 | N/A | 30 | N/A | 47 | N/A | 30 | N/A | 24 |
| 30TC-2V212 | 12' 5" | [3.780m] | Ivory | N/A | 34 | N/A | 31 | N/A | 48 | N/A | 31 | N/A | 25 |
| 30TC-4V | 10' 5" | [3.175m] | Ivory | 37 | 37 | 30 | 30 | 47 | 47 | 30 | 30 | 24 | 24 |
| 30TC-4V412 | 12' 5" | [3.780m] | Ivory | 37 | 37 | 30 | 30 | 47 | 47 | 30 | 30 | 24 | 24 |
| 30TC-3S2 | 10' 5" | [3.175m] | Ivory | 37 | 37 | 30 | 30 | 47 | 47 | 30 | 30 | 24 | 24 |
| AMTC-4 | 10' 5" | [3.175m] | Aluminum | 19 | 26 | 16 | 22 | 25 | 33 | 16 | 21 | 13 | 17 |
| AMTC-412 | 12' 5" | [3.780m] | Aluminum | 19 | 26 | 16 | 22 | 25 | 33 | 16 | 21 | 13 | 17 |
| AMTC-415 | 15' 5" | [4.700m] | Aluminum | 19 | 26 | 16 | 22 | 25 | 33 | 16 | 21 | 13 | 17 |
| ALTP-20W | 10' 4" | [3.150m] | White | 10 | 8 | 13 | 8 | 6 | | | | | |
| ALTP-2P | 10' 4" | [3.150m] | Aluminum | 10 | 8 | 13 | 8 | 6 | | | | | |
| ALTP-2S | 10' 4" | [3.150m] | Aluminum | 10 | 8 | 13 | 8 | 6 | | | | | |
| NP800C-12-2B | 10' 2" | [3.098m] | Aluminum | | | | | | | | | | |
| NP800C-12-8B | 12' 8" | [3.860m] | Aluminum | | | | | | | | | | |
| NP800C-15-2B | 15' 2" | [4.620m] | Aluminum | | | | | | | | | | |

VERTICAL DROP POLES

Vertical Drop Steel Tele-Power Poles Ordering Information

25DTC-4 Blank Steel Pole



25DTC-4

25DTC-4-DG, 25DTC-412, 25DTC-412-DG, 25DTC-415, 25DTC-415-DG

Two-compartment pole. Nominal material thickness .040" [1.0mm] Ivory boot base. Furnished unwired without outlets. Mounting hardware, entrance end plate and ceiling trip plates furnished.

Available lengths:

- 10'5" [3.2m] (25DTC-4)
- 12'5" [3.8m] (25DTC-412)
- 15'5" [4.7m] (25DTC-415)

30TC-2V Blank Steel Pole



30TC-2V

30TC-212V, 30TC-215V

Single-compartment pole. Furnished unwired without outlets. Nominal wall thickness .040" [1.0mm]. Mounting hardware, entrance end fitting and ceiling trim plates furnished.

Available lengths:

- 10'5" [3.2m] (30TC-2V)
- 12'5" [3.8m] (30TC-212V)
- 15'5" [4.7m] (30TC-215V)

25DTC-E10 Blank Steel Tele-Power Express Pole

25DTC-E10, 25DTC-E10-DG

Two sections of a two-compartment pole [5'4" [1.63m] base + 5' [1.52m] extender] assembles to form a 10'4" [3.15m] pole. Nominal material thickness .040" [1.0mm]. Ivory boot base. Furnished unwired without outlets. Mounting hardware, entrance end plate and ceiling trip plate furnished. An 8" [203mm] cover at top front of pole is removable for making power wiring connections.

30TC-4V Blank Steel Pole



30TC-4V

30TC-412V, 30TC-415V

Two-compartment pole. Nominal wall thickness .040" [1.0mm]. Mounting hardware, entrance end fitting and ceiling trim plates furnished.

Available lengths:

- 10'5" [3.2m] (30TC-4V)
- 12'5" [3.8m] (30TC-412V)
- 15'5" [4.7m] (30TC-415V)

NOTE: All poles have removable cover sections with KOs for modular jacks and openings to accept modular furniture adapters for communication devices.

Vertical Drop Aluminum Tele-Power Poles Ordering Information

AMTC-4 Blank Aluminum Pole



AMTC-4

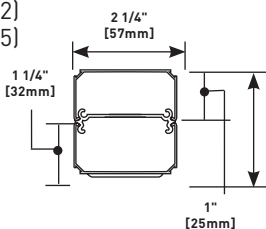
AMTC-412, AMTC-415

Two-compartment pole. Nominal material thickness .050" [1.8mm]. Furnished unwired without outlets. Two 8" [203mm] removable covers with KOs for modular jacks and modular furniture communication outlets. Mounting hardware, entrance end plate and ceiling trip plates furnished.

Available lengths:

- 10'5" [3.2m] (AMTC-4)
- 12'5" [3.8m] (AMTC-412)
- 15'5" [4.7m] (AMTC-415)

Custom options: Features such as colors or other lengths [20' [6.1m] maximum] available on custom order.



NP800C-10-2B Blank Aluminum Pole

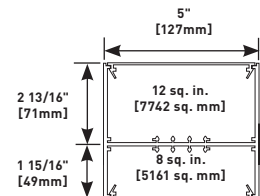


NP800C-12-2B, NP800C-15-2B

Two-compartment large capacity pole. Furnished unwired without outlets. Box ended with industry sized knockouts. Standard heights:

- 10'2" [3.1m]
- 12'8" [3.9m]
- 15'2" [4.6m]

Other heights available – consult factory; 30" [762mm] communication cover with industry standard knockouts.



Communication Vertical Drop Poles

- For utility feed drops of power wiring and/or communication cabling.
- Removable device covers on both sides permit connector termination without dismantling pole.
- Knockouts for modular voice/data jacks and a furniture-type outlet for direct connections.



25AM10FO

Ordering Guide

| CATALOG NO. | HEIGHT | FINISH |
|--------------|---|----------------------------|
| 25DTC-4 | 10' 5" [3.175m] | Ivory Steel |
| 25DTC-412 | 12' 5" [3.780m] | |
| 25DTC-415 | 15' 5" [4.700m] | |
| 30TC-2V | 10' 5" [3.175m] | Ivory Steel |
| 30TC-4V | | |
| AMTC-4 | 10' 5" [3.175m] | Anodized |
| AMTC-412 | 12' 5" [3.780m] | Aluminum |
| AMTC-415 | 15' 5" [4.700m] | |
| NP600C-10-2B | 10' 2" [3.098m] | Anodized |
| NP600C-12-8B | 12' 8" [3.960m] | Aluminum |
| NP600C-15-2B | 15' 2" [4.620m] | |
| NP800C-10-2B | 10' 2" [3.098m] | Anodized |
| NP800C-12-8B | 12' 8" [3.960m] | Aluminum |
| NP800C-15-2B | 15' 2" [4.620m] | |
| ALTC-2OW | | Painted Office White |
| ALTC-2P | 10' 3" [3.124m] | Polished Aluminum Anodized |
| ALTC-2S | | Satin Anodized |
| 25AM10FO | 2" [51mm] radius control entrance fitting for 25DT and AMTC Series† | |

Communication Capacities *

| CABLE TYPE & SIZE | TYPICAL O.D. Inches [mm] | 25DTP AMDTP SERIES | 30TP-2V SERIES | 30TP-4V SERIES 30TC-2V 30TC-4V** | AMTC & 25DTC SERIES | | NP620-2 NP600C-2** SERIES | ALTC SERIES | NP800 SERIES | |
|---|-----------------------------|--------------------------|-------------------|---|------------------------|-----------------|---------------------------------|----------------|-----------------|----------|
| | | | | | SMALL COMPT. | LARGE COMPT. | | | 8 SQ IN | 12 SQ IN |
| UNSHIELDED TWISTED PAIR (UTP) | | | | | | | | | | |
| 4-pair, 24 AWG, Cat 5 | 0.220 [5.6] | 19 | 33 | 37 | 19 | 26 | 22 | 10 | 84 | 126 |
| 4-pair, 24 AWG, Cat 3 | 0.190 [4.8] | 26 | 44 | 49 | 26 | 34 | 30 | 13 | 112 | 169 |
| TELEPHONE | | | | | | | | | | |
| 2-pair, 24 AWG | 0.140 [3.6] | 48 | 81 | 91 | 48 | 63 | 56 | 24 | 207 | 311 |
| 3-pair, 24 AWG | 0.150 [3.8] | 42 | 70 | 79 | 42 | 55 | 48 | 21 | 181 | 271 |
| 4-pair, 24 AWG | 0.190 [4.8] | 26 | 44 | 49 | 26 | 34 | 30 | 13 | 112 | 169 |
| 25-pair, 24 AWG | 0.410 [10.4] | 5 | 9 | 10 | 5 | 7 | 6 | 3 | 24 | 36 |
| COAXIAL | | | | | | | | | | |
| RG58/U 18 Gauge | 0.195 [5.0] | 25 | 41 | 47 | 25 | 33 | 29 | 13 | 107 | 160 |
| RG59/U 22 Gauge | 0.242 [6.1] | 16 | 27 | 30 | 16 | 21 | 19 | 8 | 69 | 104 |
| RG62A/U 20 Gauge | 0.242 [6.1] | 16 | 27 | 30 | 16 | 21 | 19 | 8 | 69 | 104 |
| RG6/U 22 Gauge | 0.270 [6.9] | 13 | 22 | 24 | 13 | 17 | 15 | 6 | 55 | 83 |
| TWINAXIAL | | | | | | | | | | |
| 100 Ohm | 0.330 [8.4] | 8 | 14 | 16 | 8 | 11 | 10 | 4 | 37 | 56 |
| SHIELDED TWISTED PAIR (STP) | | | | | | | | | | |
| TYPE 1 | 0.390 [9.9] | 6 | 10 | 12 | 6 | 8 | 7 | 3 | 26 | 40 |
| TYPE 2 | 0.465 [11.8] | 4 | 7 | 8 | 4 | 6 | 5 | 2 | 18 | 28 |
| TYPE 9 | 0.245 [6.2] | 16 | 26 | 30 | 16 | 21 | 18 | 8 | 67 | 101 |
| FIBER OPTIC | | | | | | | | | | |
| Two Strand (Duplex) Multimode, 62.5 / 125 μm | 0.190 [4.8] | 26 | 44 | 49 | 26 | 34 | 30 | 13 | 112 | 169, |

* 40% cable fill is the maximum designed cable fill based on a proposed revision to TIA/EIA 569-A.

** For each compartment.

† When used with TC Series, only one side is a controlled radius.