

EVOLUTION™ SERIES WORK SURFACE PORTALS



Evolution™ Work Surface Portals offer extra capacity and style with seamless integration of power, voice, communication and A/V into workstation activations.



CODE REFERENCE

cETLus Listed :
Furniture Power Distribution Unit
Listed to US and Canadian Safety Standards

Evolution Work Surface Portals Part Number Configurator

Work Surface Series	Wiring:	Size: (Diameter)	Cover Style:	Cover Color:
WS	Field-Wired = F	6" [152mm] = 6	Surface/	Nickel = NK
	Cord-Ended = Blank	8" [203mm] = 8	Beveled = S	Bronze = BZ
			Flush = F	Gray = GY
				Black = BK
				Brass = BS

NOTE: Surface/Beveled and Flush cover styles can both be used on a variety of table surfaces and provide different aesthetic options. There are differences in the installation of each style of cover. Please refer to the installation instructions for these products for more detailed information. Evolution Work Surface Portals are not for use in floors.

NOTE: Part Number Configurator can be used both to identify stock product configurations and also to request custom configurations from the factory. Consult the factory for more information.



Evolution Series Work Surface Portals provide recessed access to power, A/V and communications services.

COLOR OPTIONS



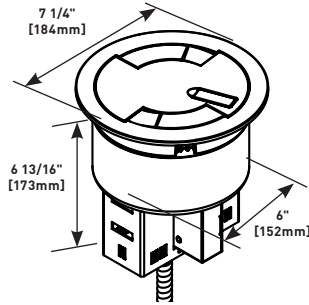
Evolution Work Surface Portal Covers are available in the following powder coated finishes: "BK" black, "GY" gray, "NK" nickel, "BS" brass, and "BZ" bronze.

EVOLUTION™ SERIES WORK SURFACE PORTALS

Ordering Information

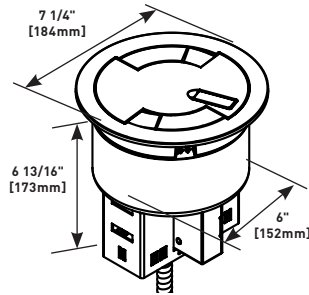
Evolution™ Work Surface Portals Field-Wired Units Ordering Information

WSF6F Flush Field-Wired Work Surface Portal



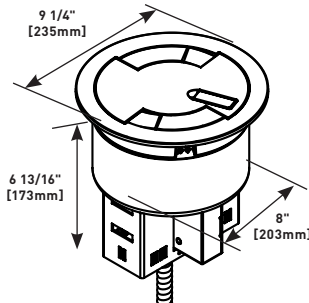
Portal has 7 1/4" [184mm] cover with two (2) duplex receptacles and two (2) Ortronics® category 6 RJ45 jacks and can accept up to five (5) Legrand AVIP plates or Extron® Electronics MAAP device plates. Units have 6' [1.8m] whip for field-wiring and are available with die-cast aluminum cover with durable powder coat finishes of nickel (WSF6FNK), bronze (WSF6FBZ), gray (WSF6FGY), black (WSF6FBK), or brass (WSF6FBS).

WSF6S Surface/Beveled Field-Wired Work Surface Portal



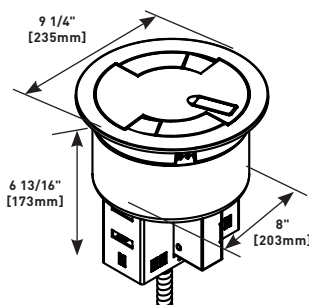
Portal has 7 1/4" [189mm] cover with two (2) duplex receptacles and two (2) Ortronics® category 6 RJ45 jacks and can accept up to five (5) Legrand AVIP plates or Extron® Electronics MAAP device plates. Units have 6' [1.8m] whip for field-wiring and are available with die-cast aluminum cover with durable powder coat finishes of nickel (WSF6SNK), bronze (WSF6SBZ), gray (WSF6SGY), black (WSF6SBK), or brass (WSF6SBS).

WSF8F Flush Field-Wired Work Surface Portal



Portal has 9 1/4" [235mm] cover with two (2) duplex receptacles and six (6) Ortronics® category 6 RJ45 jacks and can accept up to ten (10) Legrand AVIP plates or Extron® Electronics MAAP device plates. Units have 6' [1.8m] whip for field-wiring and are available with die-cast aluminum cover with durable powder coat finishes of nickel (WSF8FNK), bronze (WSF8FBZ), gray (WSF8FGY), black (WSF8FBK), or brass (WSF8FBS).

WSF8S Surface/Beveled Field-Wired Work Surface Portal



Portal has 9 1/4" [235mm] cover with two (2) duplex receptacles and six (6) Ortronics® category 6 RJ45 jacks and can accept up to ten (10) Legrand AVIP plates or Extron® Electronics MAAP device plates. Units have 6' [1.8m] whip for field-wiring and are available with die-cast aluminum cover with durable powder coat finishes of nickel (WSF8SNK), bronze (WSF8SBZ), gray (WSF8SGY), black (WSF8SBK), or brass (WSF8SBS).

NOTE: Core hole size for 6" units is 6 1/4" [159mm]. Core hole size for 8" units is 8 1/4" [210mm]. Flanges for both the 6" and 8" units extend 3/4" [19.1mm] from body of unit. Evolution Work Surface Portals are not for use in floors.