

NME1250AP WALL-MOUNTED NONMETALLIC WIRELESS ACCESS POINT ENCLOSURE



Wiremold® NME1250AP Wireless Access Point Enclosure conceals wireless access points in a durable ETL/cETL listed enclosure.

CODE REFERENCE

cETLus Listed Communication Circuit Accessories:

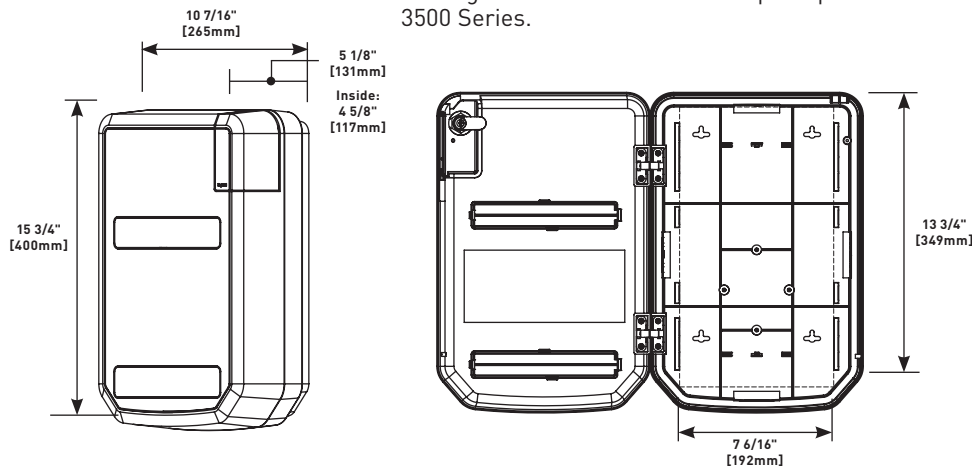
Meets Article 800 of NEC.

Meets Article 60-308 of CEC.

NME1250AP Nonmetallic Wireless Access Point Mounting Enclosure Ordering Information

NME1250AP Nonmetallic Wireless Access Point Mounting Enclosure

Wall-mounted access point enclosure constructed of durable ETL/cETL thermoplastic. Supports a wide variety of access point configurations for most leading manufacturers of access point products including the Cisco® Aironet 1250 and 3500 Series.



Nonmetallic Wireless Access Point Mounting Enclosure (NME1250AP), loaded with a wireless access point, for vertical applications.