

# AUDIO/VIDEO COMPATIBILITY

## Quick Selection Guide

### FLOOR BOXES

Product Line	Compatible A/V Device Plates		
<b>Evolution™ Series</b>			
<b>EFB6S Series</b> 	<b>EFB-AAP</b> Device Plate with Extron® Electronics AAP opening. 	<b>EFB-MAAP</b> Device Plate with GFCI or decorator style opening for open A/V devices such as Legrand AVIP or Extron® Electronics, Crestron® and Atinex® Intera. 	
<b>EFB8S Series</b> 	<b>EFB-AAP</b> Device Plate with Extron® Electronics AAP opening. 	<b>EFB-MAAP</b> Device Plate with GFCI or decorator style opening for open A/V devices such as Legrand AVIP or Extron® Electronics, Crestron® and Atinex® Intera. 	
<b>EFB10S Series</b> 	<b>EFB10-DEC</b> For use with decorator style GFCI and A/V devices. 	<b>EFB10-AAP</b> Device Plate holds 2 Extron® Electronics AAP devices. 	<b>EFB10-MAAP</b> Device Plate holds 4 Legrand AVIP or Extron® Electronics MAAP devices. 
<b>Resource RFB® Series</b>			
<b>RFB2 Series</b> 	<b>RFB2-AAP</b> Device Plate with Extron® Electronics AAP opening. 	<b>RFB2EXT</b> Device Plate with Legrand AVIP or Extron® Electronics MAAP opening. 	<b>RFB2GFI</b> Device Plate with GFCI or decorator style opening for open A/V devices such as Extron® Electronics, Crestron® and Atinex® Intera. 
	<b>RFB2RT</b> Device Plate with bracket that accepts Ortronics® Series II Devices. 		
<b>RFB4 Series</b> 	<b>RFB4-SS-MAAP</b> Shallow Device Plate with Legrand AVIP or Extron® Electronics MAAP opening. 	<b>RFB4-GFI-4DB</b> Device Plate with GFCI or decorator style opening for open A/V devices such as Extron® Electronics, Crestron® and Atinex® Intera. 	<b>WTB-AAP</b> Device Plate with Extron® Electronics AAP opening. 
	<b>RFB4-SS-AAP</b> Shallow Device Plate with Extron® Electronics AAP opening. 	<b>WTB-MAAP</b> Device Plate with Legrand AVIP or Extron® Electronics MAAP opening. 	<b>RFB-GFI-SS</b> Shallow Device Plate with GFCI or decorator style opening for open A/V devices such as Extron® Electronics, Crestron® and Atinex® Intera. 

AUDIO/VIDEO COMPATIBILITY

**NOTE:** Wiremold manufactures many additional pathway solutions. Those represented here have been designed/modified to provide the depth behind the plate required for most A/V devices. For additional design and installation considerations, please contact the factory.

# EVOLUTION™ SERIES FLOOR BOXES



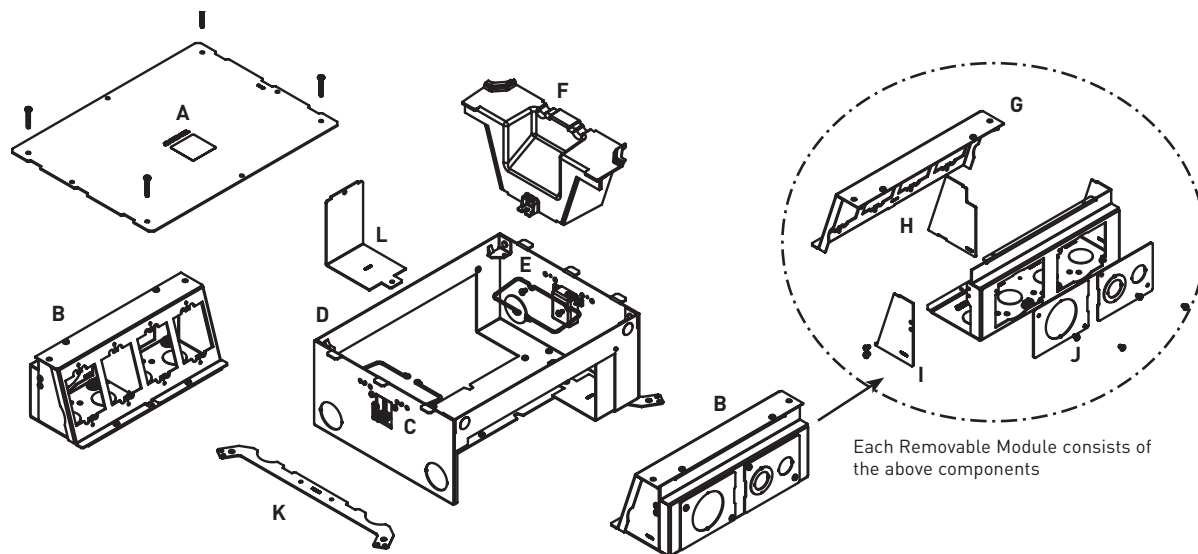
Wiremold® Evolution™ Series Floor Boxes are the latest advancement in the most complete and innovative line of floor solutions in the industry.



## CODE REFERENCE

cULus Listed  
**Metallic Outlet Boxes:**  
 File E2961 Guide QCIT.  
 Meets Article 314.27(C) of NEC.

## Evolution™ Series Floor Box Components



### KEY

- |   |                                       |
|---|---------------------------------------|
| A. Mud Cap (temporary construction cover) | G. Mounting Bracket                   |
| B. Removable Module                       | H. Divider (removable repositionable) |
| C. Toggle Clamp                           | I. End Cap                            |
| D. Box                                    | J. Back Knockout Plate                |
| E. Cable Guide                            | K. Concrete Level Leg                 |
| F. Tunnel                                 | L. "L" Bracket                        |

All items shown above are included with Evolution Series floor boxes.

### COLOR OPTIONS



Evolution Series Floor Box Covers are available in the following powder coated finishes: "BK" black, "GY" gray, "NK" nickel, "BS" brass, and "BZ" bronze.

**Custom color options are also available. Consult the factory for more information.**