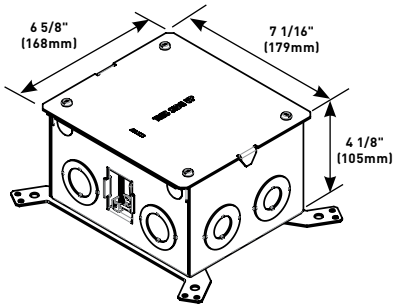


EVOLUTION™ SERIES FLOOR BOXES

Evolution™ Series EFBFF Furniture Floor Boxes Ordering Information

EFBFF Two-Gang Furniture Feed Floor Box Assembly

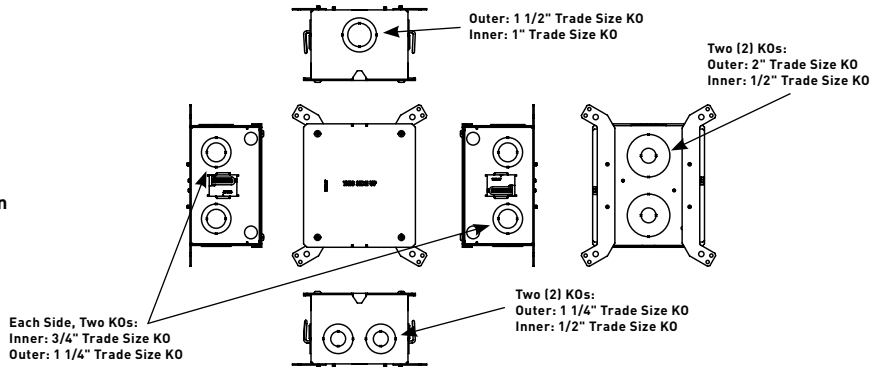


NOTE: For use with bare concrete or terrazzo floors. Use FP-CTR Trim Ring.

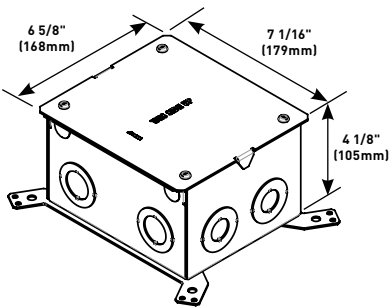
NOTE: Box is divided down center to allow for separation between power and communication or A/V services.



For carpet, tile and wood covered floors. For use in concrete, raised and wood floor applications. Box is provided with a protective, disposable cover that allows the box to be installed at any point in the construction process. Box is available in a standard version for use in above grade concrete, raised, and wood floor applications. Boxes are also compatible with Wiremold® Walkerflex Modular Wiring System. Custom options are available upon request.

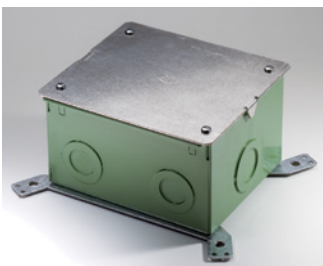


EFBFF-OG Two-Gang Furniture Feed Floor Box Assembly

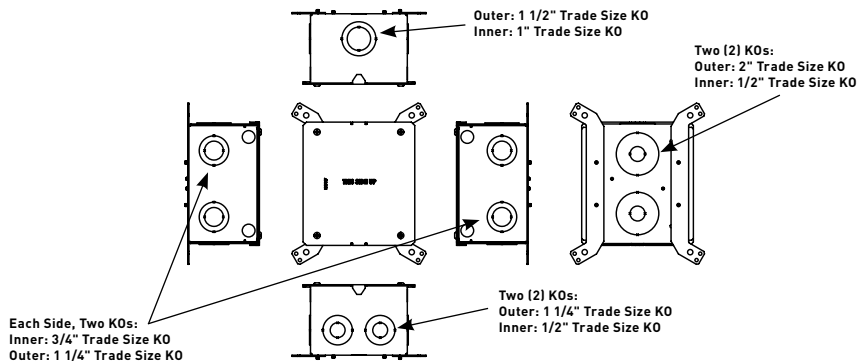


W For use with bare concrete or terrazzo floors. Use FP-CTR Trim Ring.

NOTE: Box is divided down center to allow for separation between power and communication or A/V services.



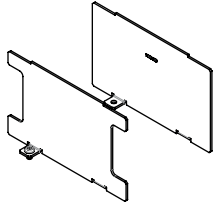
For carpet, tile and wood covered floors. For use in on-grade and above-grade concrete floor applications. Box is provided with a protective, disposable cover that allows the box to be installed at any point in the construction process. Box is available with an epoxy coating for on-grade applications. Custom options are available upon request.



EVOLUTION™ SERIES FLOOR BOXES

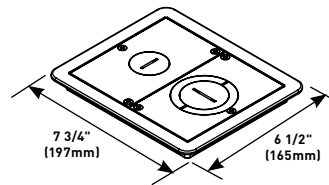
Evolution™ Series EFBFF Furniture Floor Box Accessories Ordering Information

EFBFF-DIV Divider



Provides separation of services.

Furniture Feed Cover Assembly



PART NUMBERS:

FPFFTCBK (Black)

FPFFTCBZ (Bronze)

FPFFTCGY (Gray)

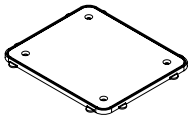
FPFFTCNK (Nickel)

FPFFTCAL (Aluminum)

FPFFTCBZ Flanged cover for use in tile or FPFFTCGY carpet or wood floor installations. FPFFTCNK Die-cast aluminum assembly FPFFTCAL available in powder coat finishes of black (BK), bronze (BZ), brass (BS), nickel (NK), gray (GY), or brushed aluminum (AL). Provided with one 1" trade size screw plug for power or communication type cabling and one combination 1 1/4" and 2" trade size screw plug for communication and A/V type cabling. Allows for feeding both power and communication cabling.

NOTE: Flangeless FloorPort Series (FPFFT) covers are not designed to work with Evolution Series Furniture Feed Floor Boxes.

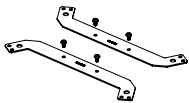
FP-CTR Bare Concrete and Terrazzo Ring



Nonmetallic ring for use on bare polished concrete and terrazzo floor applications.

NOTE: Ring must be attached to the floor box before pouring concrete or terrazzo.

EFBFF-CLL Concrete Leveling legs



Legs allow floor box to be adjusted up or down to match the desired pour height of the concrete. Includes two (2) leveling legs. Threaded rod not supplied.

FIRE CLASSIFIED FLOOR BOXES

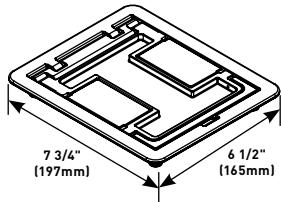
RFB Series Floor Boxes

FloorPort™ Series Flanged Cover Assemblies Ordering Information

FloorPort Part Number Configurator

<u>FP</u>	<u>B</u>	<u>TC</u>	<u>NK</u>	<u>NA</u>
FloorPort Cover	Blank Top = B Cutout Top = C Furniture Feed = FF	Tile (Flangeless) = T Tile/Carpet (Flanged) = TC	Nickel = NK Brass = BS Black = BK Bronze = BZ Gray = GY Brushed Aluminum = AL	North American Made = NA (Optional)

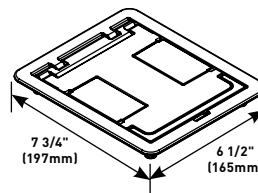
Cutout Cover Assembly



- PART NUMBERS:**
FPCTCBK (Black)
FPCTCBZ (Bronze)
FPCTCBS (Brass)
FPCTCNK (Nickel)
FPCTCAL (Brushed Aluminum)
FPCTCGY (Gray)

Flanged cover for use in tile or carpet installation. Die-cast aluminum assembly. Insert in lid allows for carpet or tile cutouts to match finished floor.

Blank Cover Assembly

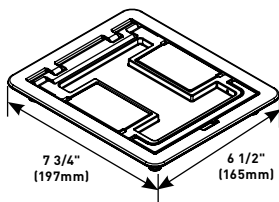


- PART NUMBERS:**
FPBTCBK (Black)
FPBTCBZ (Bronze)
FPBTCBS (Brass)
FPBTCNK (Nickel)
FPBTCAL (Brushed Aluminum)
FPBTCGY (Gray)

Flanged cover for use in tile or carpet installation. Die-cast aluminum assembly. Lid area is flush with the finished floor, no cutouts provided.

North American Made Flanged Cover Assemblies Ordering Information

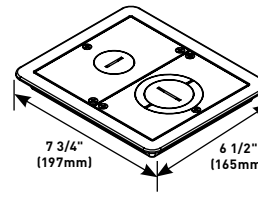
Cutout Cover Assembly



- PART NUMBERS:**
FPCTCBK-NA (Black)
FPCTCBZ-NA (Bronze)
FPCTCBS-NA (Brass)
FPCTCNK-NA (Nickel)
FPCTCGY-NA (Gray)

Flanged cover for use in tile or carpet installation. Die-cast aluminum assembly. Insert in lid allows for carpet or tile cutouts to match finished floor.

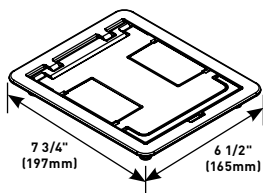
Furniture Feed Cover Assembly



- PART NUMBERS:**
FPFFTCBK (Black)
FPFFTCBZ (Bronze)
FPFFTCBS (Brass)
FPFFTCNK (Nickel)
FPFFTCAL (Brushed Aluminum)
FPFFTCGY (Gray)

Flanged cover for use in tile or carpet installation. Die-cast aluminum assembly. Provided with one 1" trade size screw plug for power or communication type cabling and one combination 1 1/4" and 2" trade size screw plug for communication type cabling. Allows for feeding both power and communication cabling.

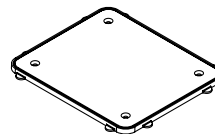
Blank Cover Assembly



- PART NUMBERS:**
FPBTCBK-NA (Black)
FPBTCBZ-NA (Bronze)
FPBTCBS-NA (Brass)
FPBTCNK-NA (Nickel)
FPBTCGY-NA (Gray)

Flanged cover for use in tile or carpet installation. Lid area is flush with the finished floor, no cutouts provided.

FP-CTR Bare Concrete and Terrazzo Ring



Nonmetallic ring for use on bare polished concrete and terrazzo floor applications.

NOTE: Pricing varies depending on country of origin. Consult your local sales representative for more information.

NOTE: UL Listed for terrazzo, polished concrete, wood, tile and carpet covered concrete floors.

Load Capacities for FloorPort Cover Assemblies

CATALOG NUMBERS	MAXIMUM LOAD IN POUNDS
FPCTC	1000
FPBTC	750
FPFFTC	1000

NOTE: Load applied through a 2" (51mm) mandrel in center of service fitting. Loads above are static loads only and do not pertain to rolling loads.

FLOORPORT™ SERVICE FITTINGS

Compatible with Walkercell

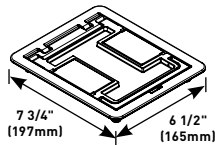
FloorPort™ Series Flanged Cover Plates Ordering Information

Floorport Part Number Configurator



FloorPort Series:	Cover Style:	Top Style:	Cover Color:
	Blank Top = B	Tile (flangeless) = T	Brushed Aluminum = AL
	Cutout Top = C	Tile/Carpet = TC	Black = BK
	Furniture Feed = FF	(flanged)	Brass = BS
			Bronze = BZ
			Gray = GY
			Nickel = NK

Cutout Cover Assembly

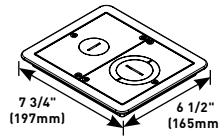


PART NUMBERS:

FPCTCBK (Black), **FPCTCBZ** (Bronze)
FPCTCBS (Brass), **FPCTCNK** (Nickel)
FPCTCGY (Gray)
FPCTCAL (Brushed Aluminum)

Flanged cover for use in tile or carpet installation. Die-cast aluminum assembly. Insert in lid allows for carpet or tile cutouts to match finished.

Furniture Feed Cover Assembly

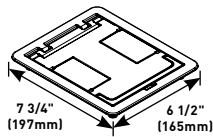


PART NUMBERS:

FPFFTCBK (Black)
FPFFTCBZ (Bronze)
FPFFTCBS (Brass)
FPFFTCNK (Nickel)
FPFFTCGY (Gray)
FPFFTCAL (Brushed Aluminum)

Flanged cover for use in tile or carpet installation. Die-cast aluminum assembly. Provided with one 1" trade size screw plug for power or communication type cabling and one combination 1 1/4" and 2" trade size screw plug for communication type cabling. Allows for feeding both power and communication cabling.

Blank Cover Assembly

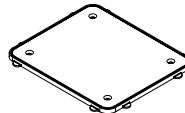


PART NUMBERS:

FPBTCBK (Black), **FPBTCBZ** (Bronze)
FPBTCBS (Brass), **FPBTCNK** (Nickel)
FPBTCGY (Gray)
FPBTCAL (Brushed Aluminum)

Flanged cover for use in tile or carpet installation. Die-cast aluminum assembly. Lid area is flush with the finished floor, no cutouts provided.

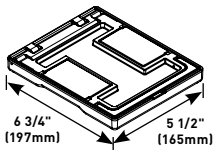
FP-CTR Bare Concrete and Terrazzo Ring



Nonmetallic ring for use on bare polished concrete and terrazzo floor applications.

FloorPort™ Series Flangeless Cover Assemblies Ordering Information

Cutout Cover Assembly

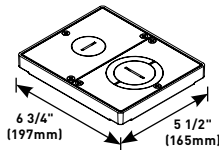


PART NUMBERS:

FPCTBK (Black), **FPCTBZ** (Bronze)
FPCTBS (Brass), **FPCTNK** (Nickel)
FPCTGY (Gray)
FPCTAL (Brushed Aluminum)

Flangeless cover for use in tile or carpet installations. Die-cast aluminum assembly. Insert in lid allows for carpet or tile cutouts to match finished floor.

Furniture Feed Cover Assembly

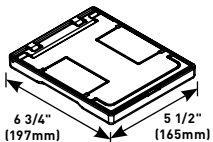


PART NUMBERS:

FPFFTBK (Black)
FPFFTBZ (Bronze)
FPFFTBS (Brass)
FPFFTNK (Nickel)
FPFFTGY (Gray)
FPFFTAL (Brushed Aluminum)

Flangeless cover for use in tile or carpet installation. Die-cast aluminum assembly. Provided with one 1" trade size screw plug for power or communication type cabling and one combination 1 1/4" and 2" trade size screw plug for communication type cabling. Allows for feeding both power and communication cabling.

Blank Cover Assembly



PART NUMBERS:

FPBTBK (Black), **FPBTBZ** (Bronze)
FPBTBS (Brass), **FPBTNK** (Nickel)
FPBTGY (Gray)
FPBTAL (Brushed Aluminum)

Flangeless cover for use in tile or carpet installation. Die-cast aluminum assembly. Lid area is flush with the finished floor, no cutouts provided.